

# Parts Catalog



**SP05 Mixer**

## **MIXER**

MODELS: SP05 and SP05-Q

08-01-14

IMPORTANT!

TO EXPEDITE SHIPMENT OF PARTS, ALWAYS SPECIFY MODEL, REV,  
PART NUMBER, AND SERIAL NUMBER OF SLICER.

## **GLOBE FOOD EQUIPMENT COMPANY**

2215 East River Road  
Dayton, Ohio 45439

### **Parts Department**

Toll Free 1-800-745-6238 • Fax (937) 290-0585

E-Mail: [info@globefoodequip.com](mailto:info@globefoodequip.com)

Website: [www.globefoodequip.com](http://www.globefoodequip.com)

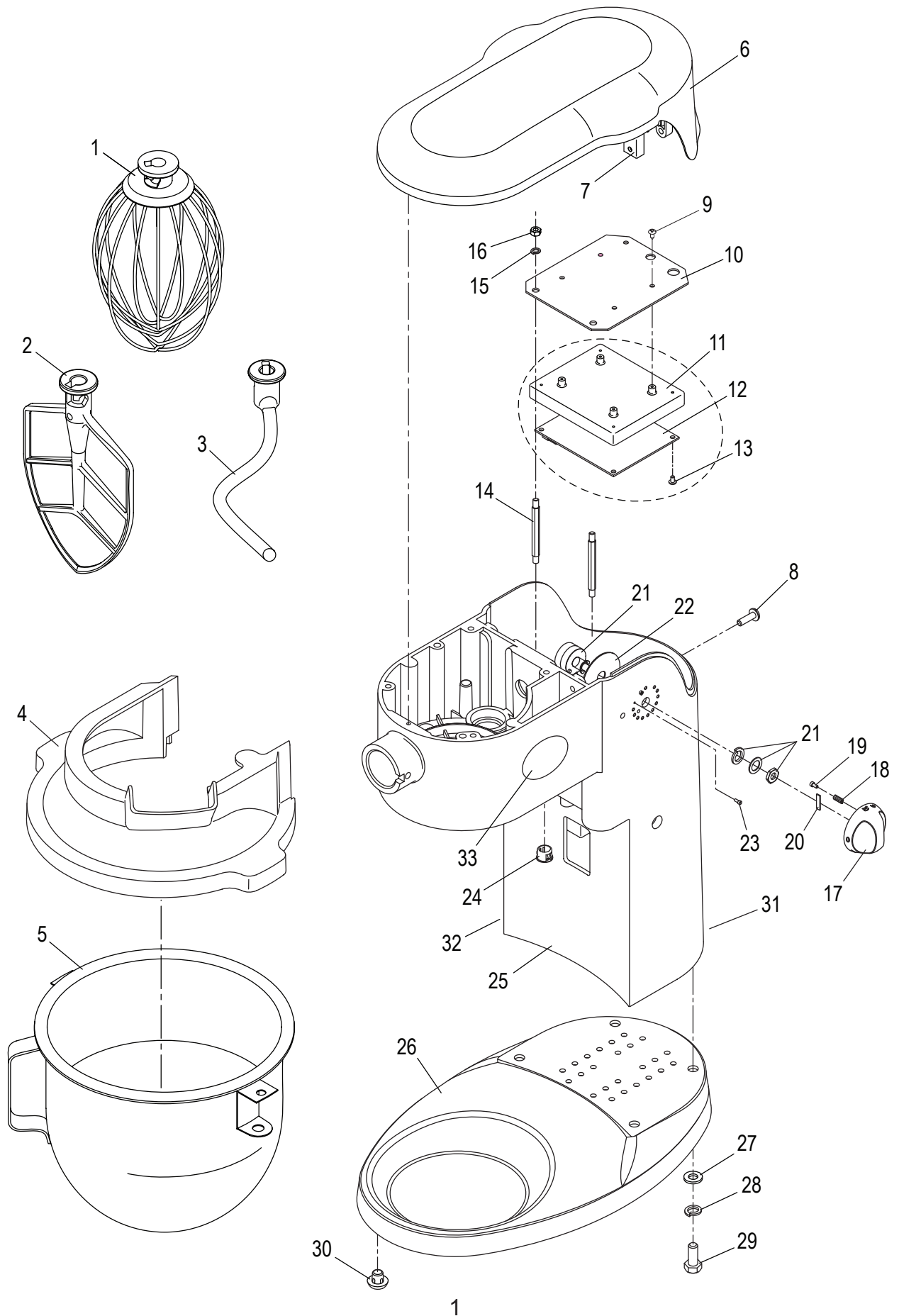
Not for resale



# TABLE OF CONTENTS

Serial Number 6513801 and Up	Page
Mixer Base Components	1 - 2
Bowl Lift Components	3 - 4
Transmission	5 - 6
Motor	7
Wiring Diagrams	8

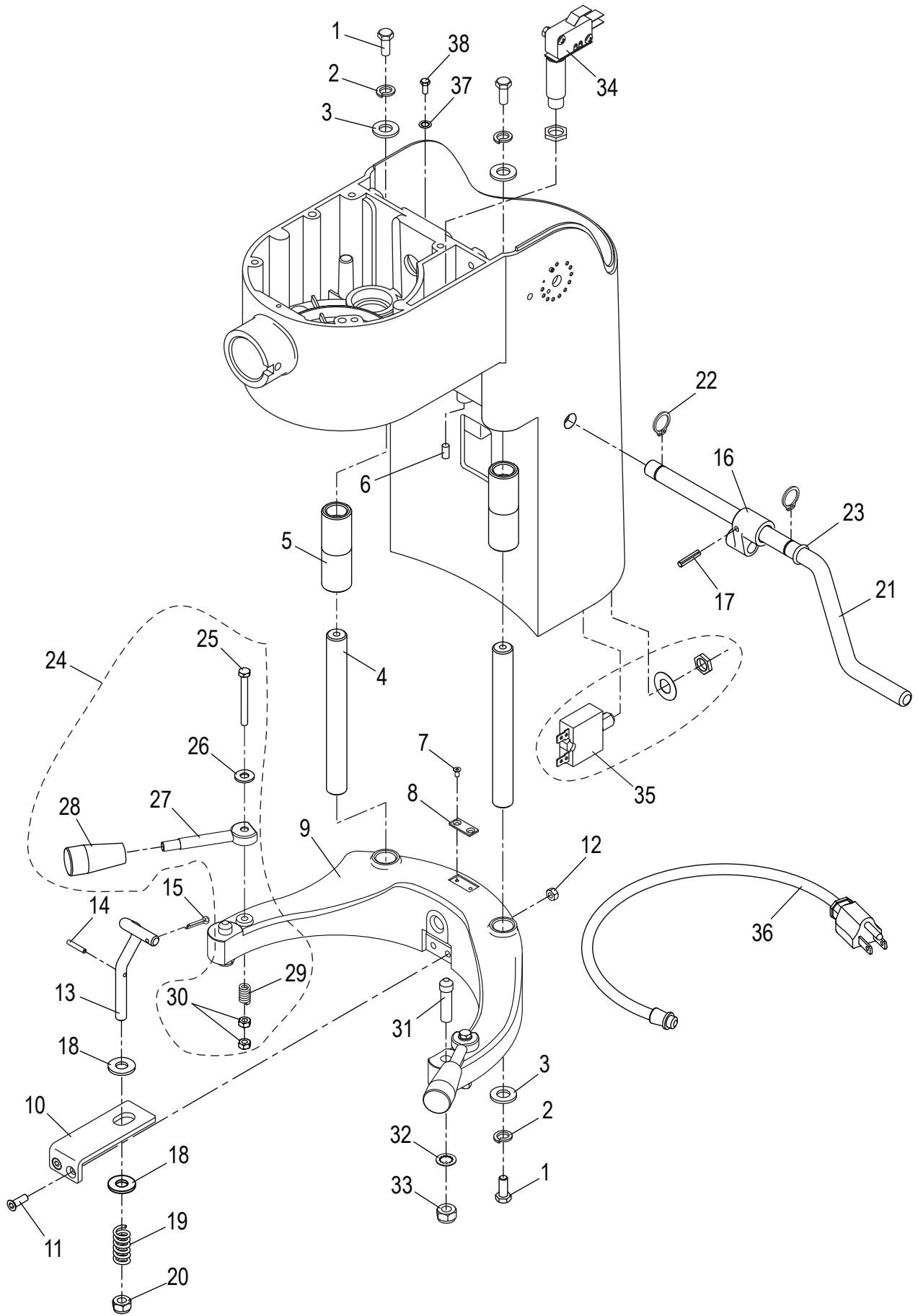
# SP05/SP05-Q MIXER BASE COMPONENTS



## SP05/SP05-Q BASE PARTS LIST

Item	Description	Qty	Part Numbers	Standard Hardware
1	Whip	1	XXWhip-05	
2	Beater	1	XXBeat-05	
3	Spiral Hook	1	XXHook-05	
4	Safety Guard, SP05	1	X5E01-1	
	Safety Guard, SP05-Q		X5E01	
5	Mixer Bowl	1	XXBowl-05	
6	Mixer Cover	1	X5A13-1	
7	Mixer Cover Reinforcement	1	X5A39	
8	Mixer Cover Screw	1	H00523	M5x18 Truss Head Screw
9	Circuit Board Housing Screw	4	X00524	
10	Housing Mounting Plate	1	X5A21	
11	Circuit Board Housing	1	X5A33	
12	Electronic Circuit Board	1	X5A20-1	
13	Circuit Board Mounting Screw	4	X00525	
14	Mounting Plate Standoff	2	X5A41	
15	Standoff Washer	2	H00320	M5 Split Lock Washer
16	Mounting Plate Nut	2	H00028	M5 Hex Nut
17	On/Off/Speed Selector	1	X5A05-1	
18	Selector Spring	1	X5A08-1	
19	Selector Plunger	1	X5A09	
20	Selector Alignment Tab	1	X5A44	
21	Potentiometer w/Hardware	1	X5A15	
22	Potentiometer Insulation Pad	1	X5A16	
23	Selector Stop Screw	2	H00526	M2x5 Socket Hd Cap Screw
24	Hole Plug (SP05 only)	1	X5A26	
25	Mixer Body	1	X5A25-1	
26	Mixer Base	1	X5A27	
27	Mixer Mounting Washer	4	H00191	M8 Flat Washer
28	Mixer Mounting Lock Washer	4	H00527	M8 Split Lock Washer
29	Mixer Mounting Screw	4	H00117	M8x20 Hex Head
30	Mixer Foot	4	X5UH-1260	
31	Label, Electrical Hazard	1	X91018	
32	Label Warning	1	X91019	
33	Label, Globe Logo	1	871-3	

# SP05/SP05-Q BOWL LIFT COMPONENTS



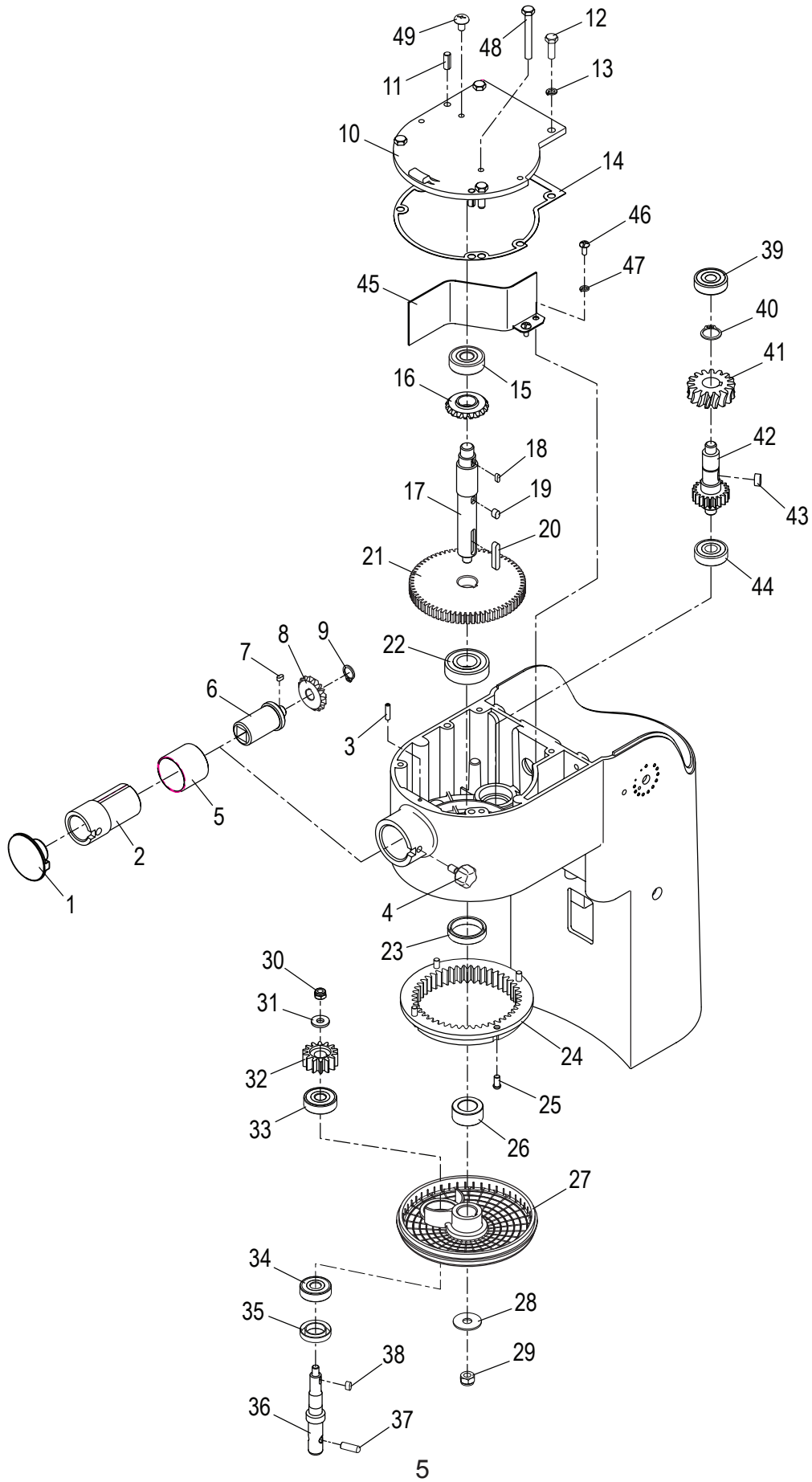
## SP05/SP05-Q BOWL LIFT PARTS LIST

Item	Description	Part Number	Qty	Standard Hardware
1	Lift Shaft Mounting Screw	H00197	4	M6x15 Hex Head
2	Lift Shaft Lock Washer	H00042	4	M6 Split Lock Washer
3	Lift Shaft Washer	H00014	4	M6 Flat Washer
4	Bowl Lift Shaft	X5B03	2	
5	Lift Shaft Bushing	X5B04	2	
6	Bowl Limit Set Screw	H00183	1	M5x10 Cup Point
7	Limit Pad Mounting Screw	H00528	2	M3x5 Flat Head
8	Bowl Limit Pad	X5B07	1	
9	Bowl Cradle	X5B08	1	
10	Bowl Lift Bracket	X5B09	1	
11	Lift Bracket Mounting Screw	H00305	2	M5x15 Flat Head
12	Lift Bracket Nut	H00028	2	M5 Hex Nut
13	Bowl Lift Rod	X5B12	1	
14	Lift Rod Pin	H00529	1	M3x16 Spring Pin
15	Lift Rod Attachment Pin	H00530	1	M2x20 Cotter Pin
16	Bowl Lift Connector	X5B14	1	
17	Connector Pin	H00531	1	M4x20 Spring Pin
18	Lift Rod Washer	H00191	2	M8 Flat Washer
19	Lift Rod Spring	X08091	2	
20	Lift Rod Lock Nut	H00532	1	M8 Lock Nut, Nylon Insert
21	Bowl Lift Handle	X5B20	1	
22	Bowl Lift Handle Retaining Ring	X5B19	2	STW-12
23	Handle Seal Ring	X5B22	1	16x10x3mm O-Ring
24	Bowl Clamp Assembly (Set of 2)	X08089-93	1	
25	Bowl Clamp Screw	-	2	
26	Bowl Clamp Washer	-	2	#10 Flat Washer
27	Bowl Clamp Arm	-	2	
28	Bowl Clamp Handle	X08090	2	
29	Bowl Clamp Spring	-	2	
30	Bowl Clamp Nut	-	4	#10 Hex Nut
31	Bowl Lock Pin	X5B34	2	
32	Bowl Lock Washer	H00536	2	M8 Internal Tooth
33	Bowl Lock Nut, Nylon Insert	H00532	2	M8 Lock Nut, Nylon Insert
34	Bowl Guard Interlock Microswitch Kit (SP05-Q Only)	X5E02	1	
35	*Overload Relay, 5 Amp	X00537	1	
	**Overload Relay, 8 Amp	X00538		
36	Power Cord and Plug	X5B23	1	
37	Ground Screw Lock Washer	H00540		M5 Internal Tooth
38	Ground Screw (Green)	X00539	1	M5x10 Hex Head

\*Before serial number 6513800.

\*\*Serial number 6513800 and up.

# SP05/SP05-Q TRANSMISSION

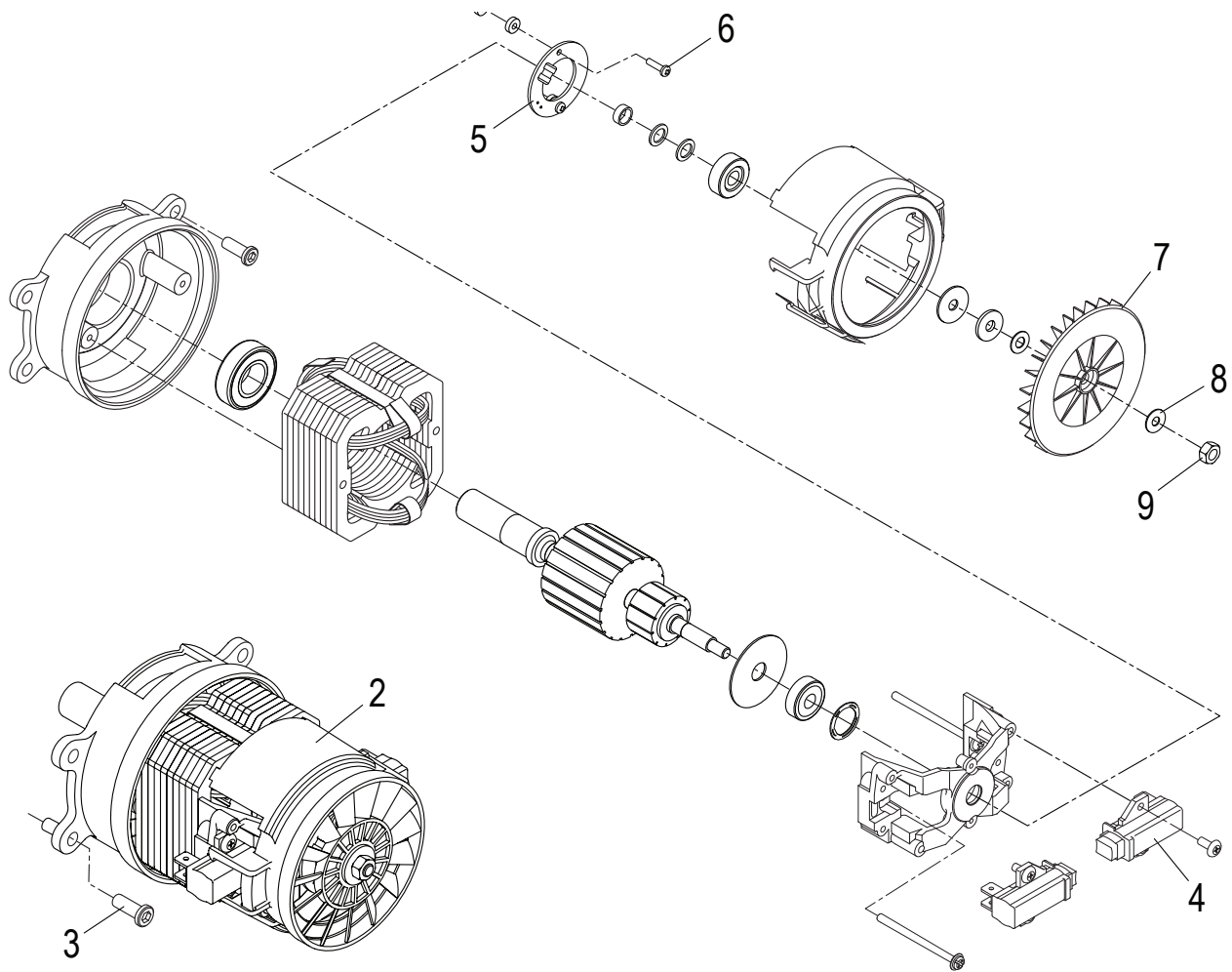




## SP05/SP05-Q TRANSMISSION PARTS LIST

Item	Description	Part Number	Qty	Standard Hardware
1	Attachment Hole Plug	X5C01	1	
2	Attachment Hub	X5C02	1	
3	Attachment Hub Set Screw	H00541	1	M4x16 Cup Point
4	Attachment Release Knob	X5C21	1	
5	Anti-Oil Bushing	X5C47	1	
6	Level Drive Gear Hub	X5C03	1	
7	Level Drive Gear Key	H00542	1	3x3x6mm, Round Ends
8	Level Drive Gear (16T)	X5C05	1	
9	Level Drive Gear Retaining Ring	X5C06	1	STW-10
10	Transmission Case Cover	X5C09	1	
11	Locating Pin	X5C19	2	M6 Spring Pin
12	Transmission Cover Screw	H00116	4	M6x20mm Hex Head
13	Lock Washer	H00042	4	M6 Split Lock
14	Gasket	X5C10	1	
15	Drive Shaft Upper Ball Bearing	X10117	1	
16	Level Drive Gear (20T)	X5C12	1	
17	Drive Shaft	X5C13	1	
18	Level Drive Gear Key	H00543	1	3x3x8mm, Round Ends
19	Drive Gear Key	H00544	1	5x5x8mm, Round Ends
20	Planetary Holder Key	H00545	1	5x5x28mm, Round Ends
21	Drive Gear (66T)	X5C17-1	1	
22	Drive Shaft Lower Ball Bearing	X5C18	1	
23	Drive Shaft Oil-Seal	X5C22	1	
24	Internal Planetary Gear (47T)	X5C23	1	
25	Planetary Gear Mounting Screw	H00546	4	M5x10mm Button Head
26	Oil-Seal Bushing (Set)	X08116-1	1	
27	Planetary Holder	X5C32	1	
28	Drive Shaft Washer	X00547	1	M8x30mm Flat Washer
29	Drive Shaft Nut	H00532	1	M8 Lock Nut, Nylon Insert
30	Pinion Gear Nut	H00548	1	M6 Lock Nut, Nylon Insert
31	Pinion Gear Washer	H00120	1	M6 Flat Washer, Lg Dia
32	Pinion Gear (14T)	X5C30	1	
33	Planetary Shaft Upper Ball Bearing	X5C31	1	
34	Planetary Shaft Lower Ball Bearing	X5C35	1	
35	Planetary Oil-seal	X5C36	1	
36	Planetary Shaft	X5C37	1	
37	Dowel Pin	X08037	1	
38	Pinion Gear Key	H00549	1	4x4x8mm, Round Ends
39	Transmission Shaft Upper Ball Bearing	X5C39	1	
40	Level Drive Gear Retaining Ring	X5C40	1	STW-15
41	Level Drive Gear (16T)	X5C41	1	
42	Transmission Shaft (22T)	X5C42-1	1	
43	Level Drive Gear Key	H00550	1	5x5x12mm, Round Ends
44	Transmission Shaft Lower Ball Bearing	X5C31	1	
45	Divider Plate	X5C45	1	
46	Divider Plate Lock Washer	H00551	2	M4 Split Lock
47	Divider Plate Mounting Screw	H00552	2	M4x10 Pan Head
48	Screw, Hex Head	H00553	1	M6x55mm
49	Screw, Pan Head	H00554	1	M6x10mm

## SP05/SP05-Q MOTOR COMPONENTS



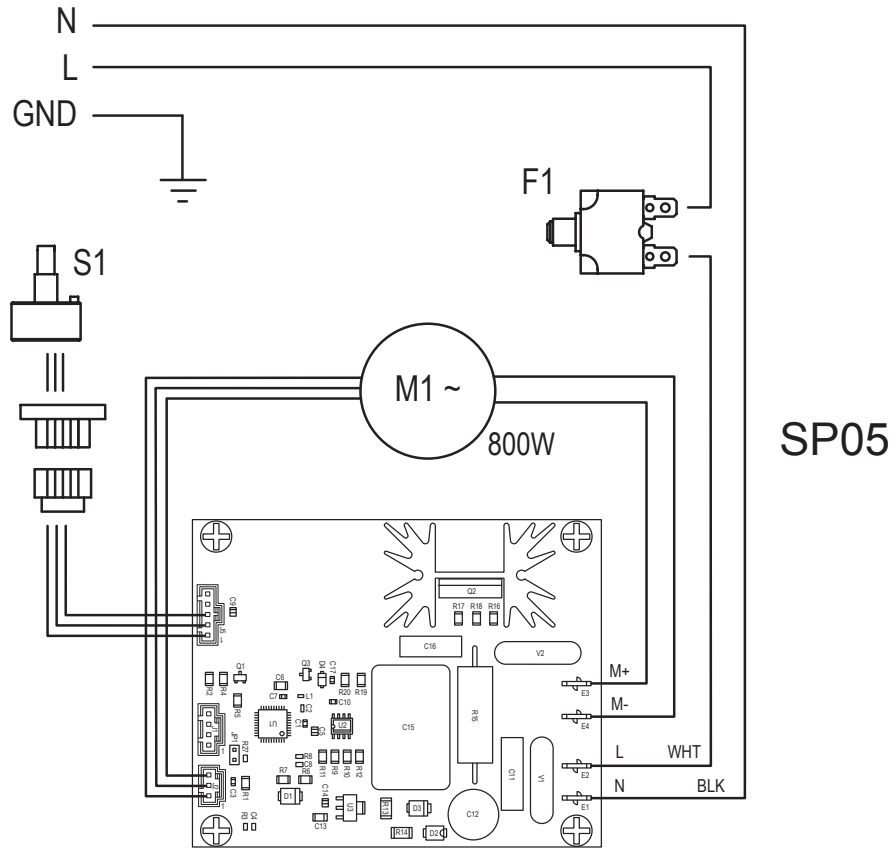
Item	Description	Part Number	Qty	Standard Hardware
1	*Motor Replacement Kit (Not shown)	X00558	1	
2	**Motor Assembly	X00559	1	
3	Motor Mounting Screw	X00556	4	M6x16 SHCS
4	**Carbon Brush, New Style	X5D09-1	2	
	†Carbon Brush, Old Style	X5D09		
5	Tachometer	X5D15-1	1	
6	Tachometer Mounting Screw	H00557	2	M3x14 Pan Head, Nylon
7	**Motor Fan, New Style	X5D11-1	1	
	†Motor Fan, Old Style	X5D11		
8	Motor Assembly Washer	H00120	1	M6x18mm Flat Washer
9	Nut, Reverse Thread (LH)	H00555	1	M6-1.0 Hex Nut – LH Thd

\*\*Serial number 6513800 and up.

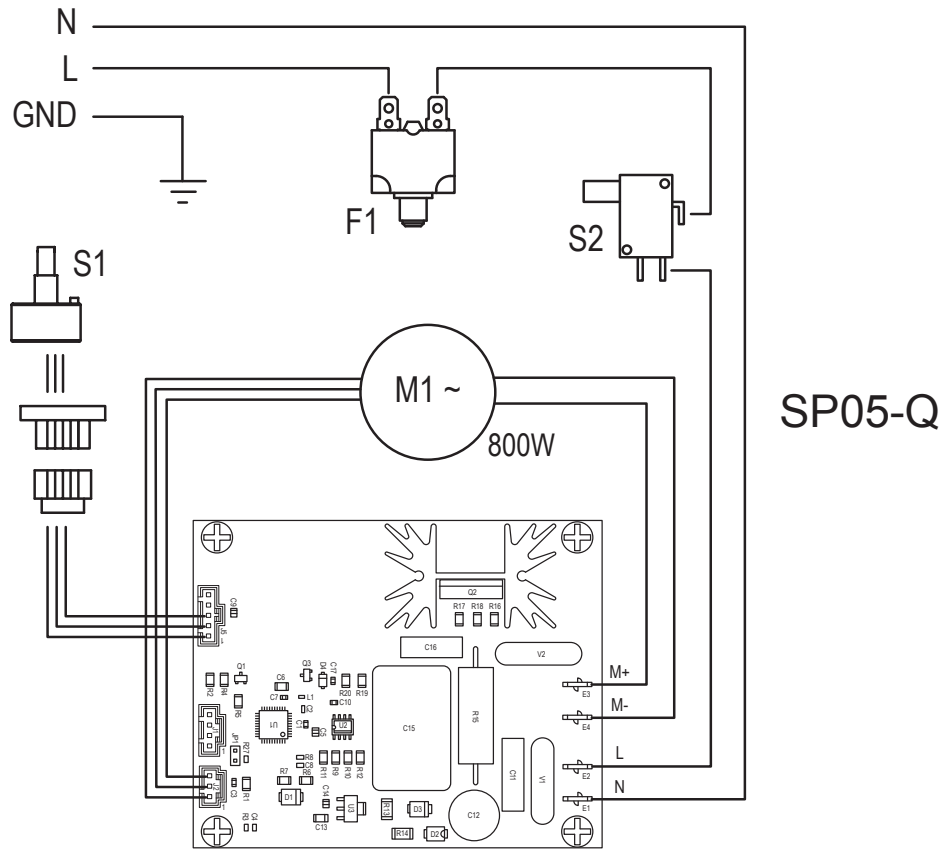
†Before serial number 6513800.

\*Note: Older Mixers with 4 or 5 Amp Overload Relay require Relay replacement to comply with higher amperage replacement Motor.

# SP05/SP05-Q WIRING DIAGRAMS 115V/60Hz/1 PH



SP05



SP05-Q

