

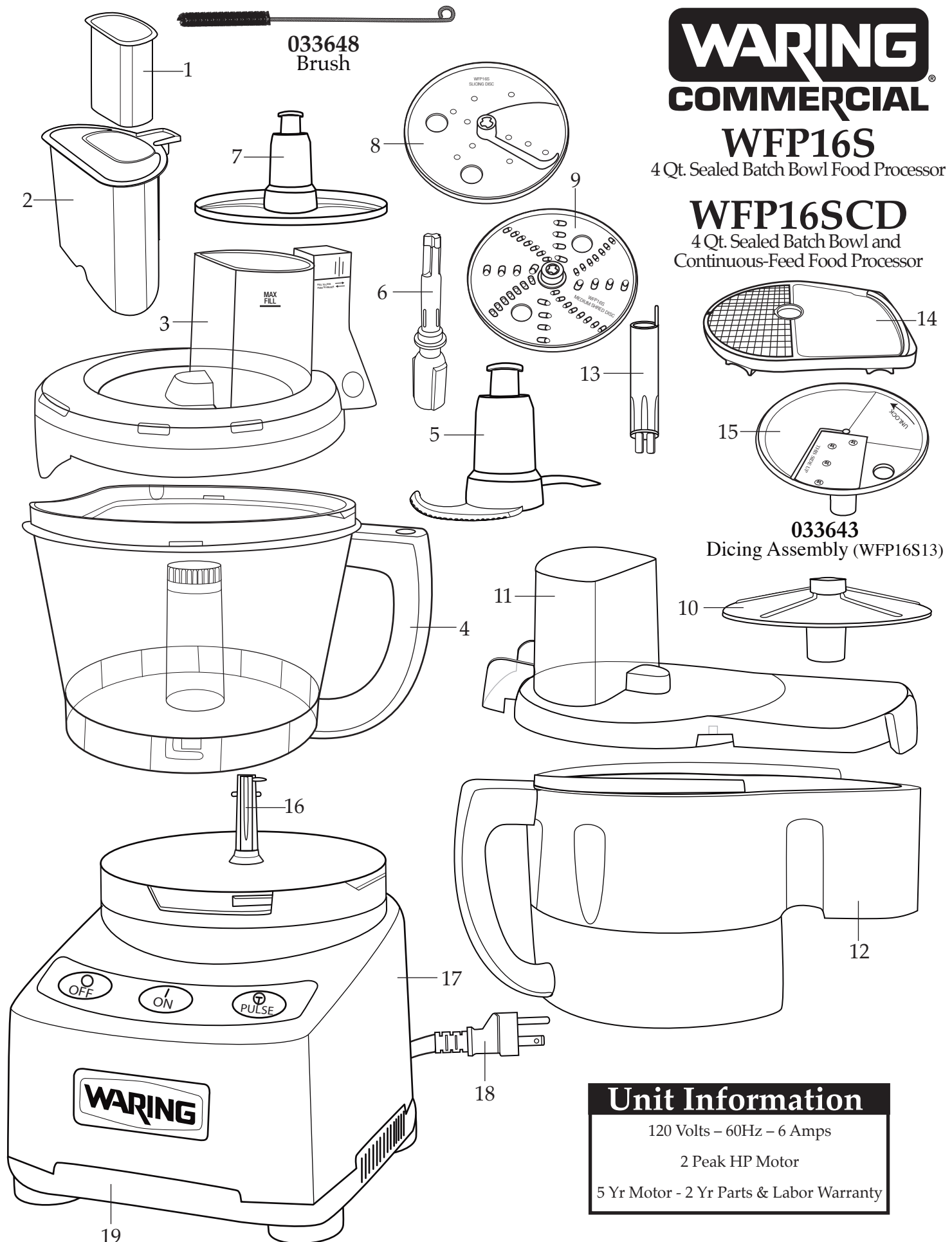
**WARING**  
**COMMERCIAL**

**WFP16S**

4 Qt. Sealed Batch Bowl Food Processor

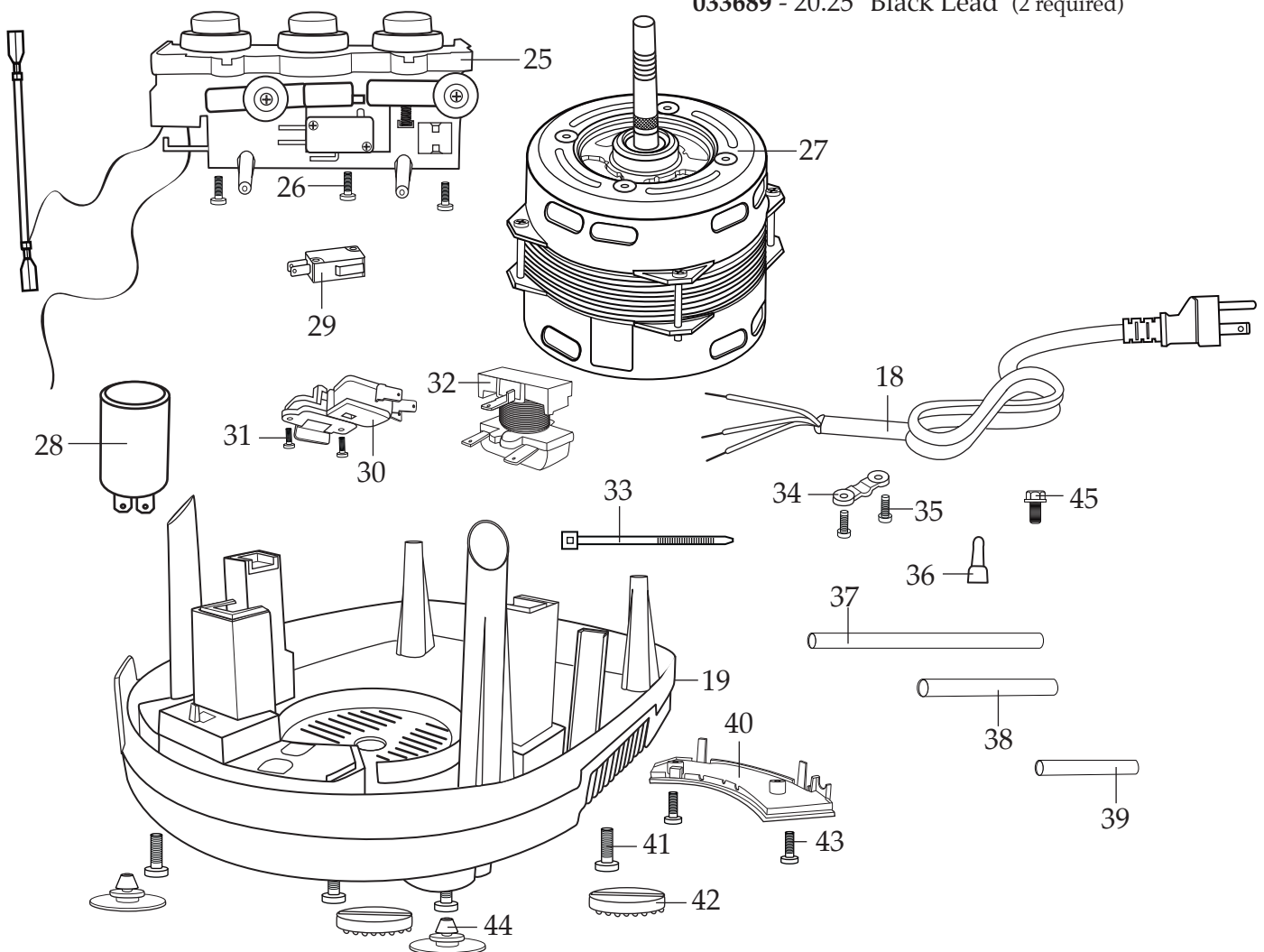
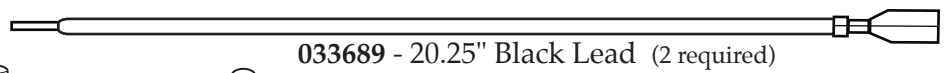
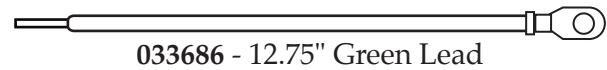
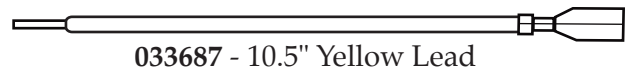
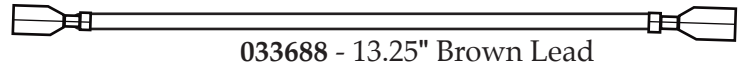
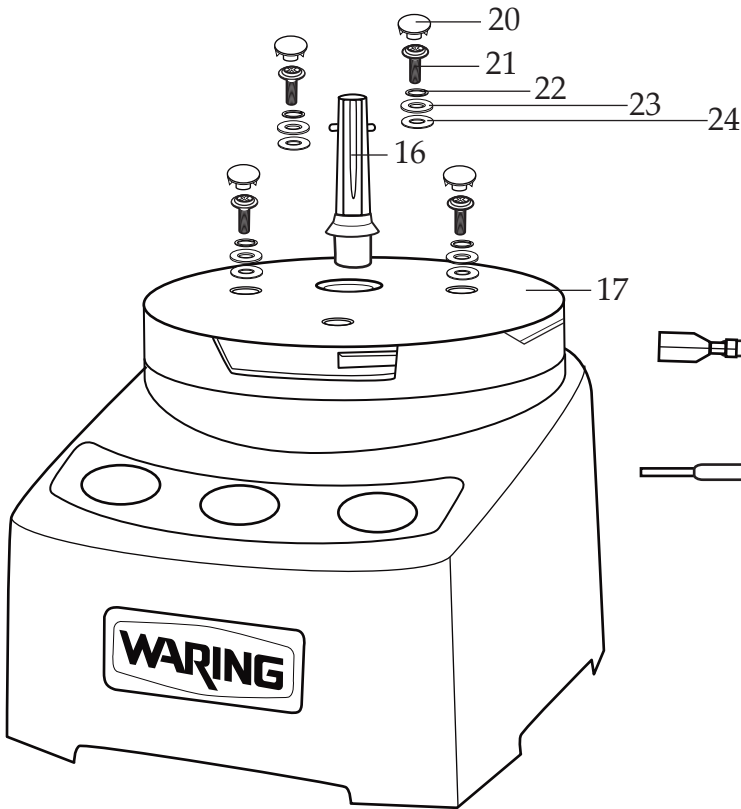
**WFP16SCD**

4 Qt. Sealed Batch Bowl and  
Continuous-Feed Food Processor



**WARING**  
**COMMERCIAL**

**WFP16S**  
**WFP16SCD**



## Catalog/Model

WFP16S  
WFP16SCD



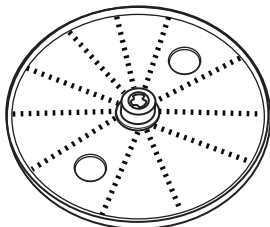
<b>Illustration #</b>	<b>Part #</b>	<b>Description</b>
1	033637	Small Pusher
2	033692	Large Pusher
3	033693	Batch Bowl Cover
4	033632	Batch Bowl
5	033631	S Blade
6	033639	Disc Stem
7	033641	Sealed Whipping Disc
8	033640	Adjustable Slicing Disc
9	033642	Reversible Shredding Disc
10	033638	Slinger
11	034610	Continuous-Feed Cover
12	034609	Continuous-Feed Chute
13	027166	Dicing Cleaning Tool
14	033649	3/8" Dicing Grid ONLY
15	033650	3/8" Slicing Disc ONLY
16	033658	Motor Sheath with Shaft Cover
17	033673	Top Housing Assembly
18	024782	Cord
19	033651	Bottom Housing with Rubber Mounts
20	033674	Hole Plugs (4 required)
21	033676	Sems (4 required)
22	033677	Spring Washer (4 required)
23	024757	Washer (4 required)
24	024759	Washer (4 required)
25	033684	Main Switch Holder Assembly w/Switch (033659)
26	033660	Screw (3 required)

## Catalog/Model

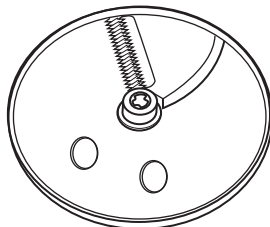
WFP16S  
WFP16SCD

Waring Factory Service Center  
314 Ella T. Grasso Ave.  
Torrington, CT 06790  
Tele. 1-800-269-6640  
Fax 860-496-9017  
www.waringcommercialproducts.com

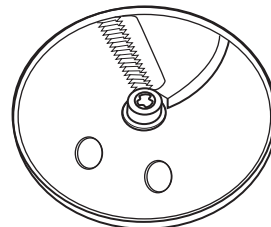
Illustration #	Part #	Description
27	033657	Motor with Fan
28	033661	Start Capacitor
29	033659	Switch (for batch bowl)
30	033665	Switch with Holder (for continuous-feed bowl)
31	033660	Screw (2 required)
32	033662	Relay
33	013731	Wire Ties (7 required)
34	033666	Cord Clamp
35	033654	Screw (2 required)
36	012409	Crimp Connector (4 required)
37	033678	5.5" Rubber Sleeve (2 required)
38	033690	3.125" Rubber Sleeve (2 required)
39	033691	2" Rubber Sleeve
40	033652	Lower Housing Cover
41	033653	Screw (4 required)
42	033655	Front Foot (2 required)
43	001843	Screw (2 required)
44	033656	Back Foot (2 required)
45	033675	Bolt for ground leads



**033646**  
Grating Disc  
(WFP16S16)



**033644**  
Julienne Disc  
(WFP16S14)



**033645**  
French Fry Disc  
(WFP16S15)