

# WARING COMMERCIAL

NuBlend Commercial Blenders

## BB180

44 oz. Eastman container

## BB180S

32 oz. stainless steel container

## NDG180 / Next Day Gourmet

44 oz. Eastman container  
marked for deletion

**NEXT DAY GOURMET**  
REORDER #842117

**028214**  
Name Plate Label

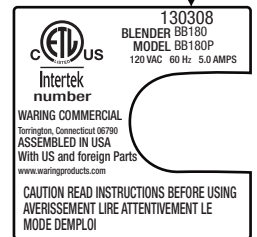
**NOTE:**

3 Part Changes  
Starting With **Unit Date Code 130308** (3/8/2013)

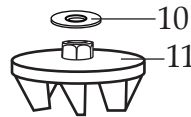
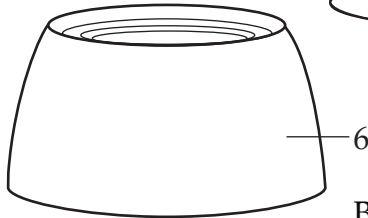
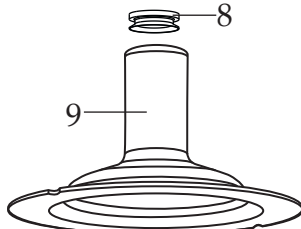
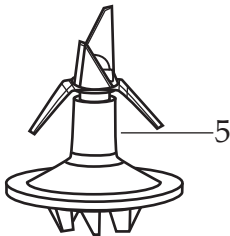
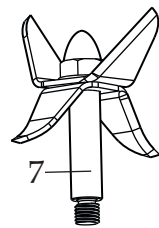
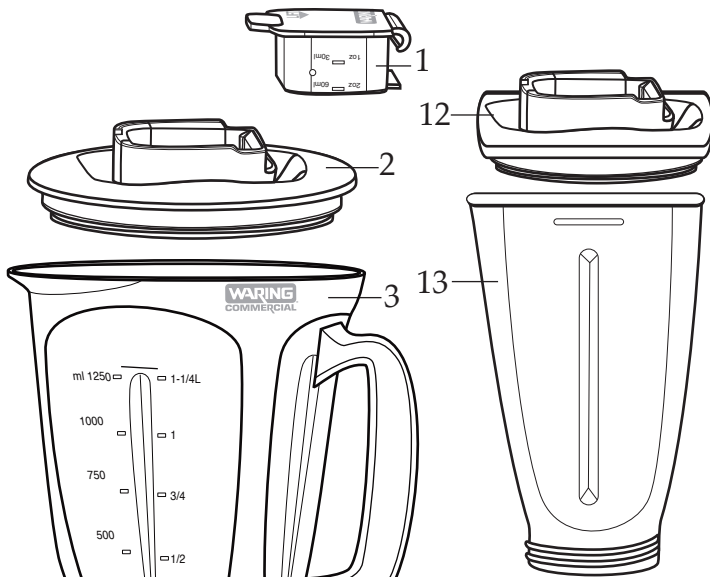
That Can **NOT** be  
Interchanged With Previous  
Unit Date Codes

Blade Assembly - Coupling - Motor

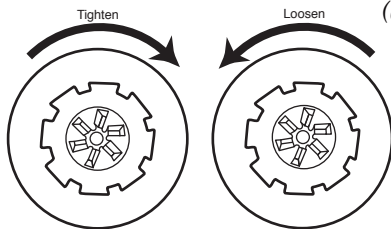
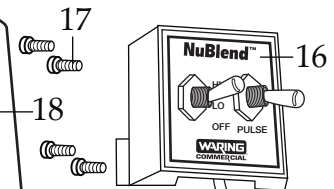
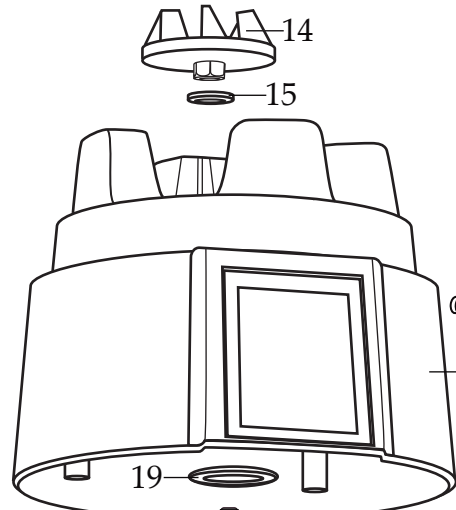
Unit Date Code



SAMPLE Data Decal



**503408**  
Blending Assembly  
(on units after 3/8/2013)

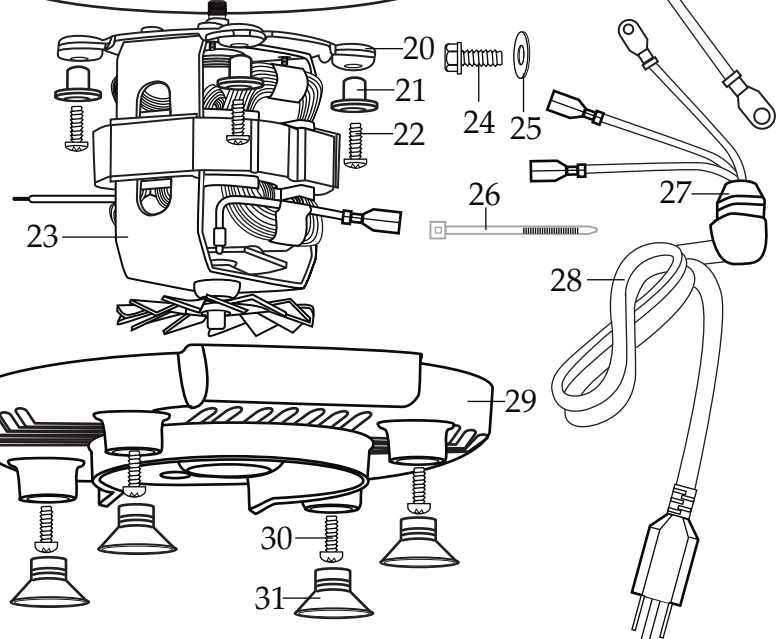


Jar Upside Down with Jar Bottom Facing You

**032261**  
Brush & Spring  
(2 required)



**013304**  
NSF Seal



### Unit Information

Limited 2 Year Warranty  
60Hz - 5 Amps  
3/4 HP Motor  
Hamilton Beach 901, 908 & 909  
Jars Can Be Used On This Unit

**Catalog#****Model**

<b>BB180</b>	BB180P <i>(on units after 2/15/2010)</i>	BB180 MT (Type 25) <i>(on units after 10/5/2004)</i>
	BB180T <i>(on units after 8/25/2003)</i>	BB180
<b>BB180S</b>	BB180S <i>(on units after 2/15/2010)</i>	BB180S MT (Type 25) <i>(on units after 10/5/2004)</i>
<b>NDG180</b>	BB180P <i>(on units after 2/15/2010)</i>	BB180 MT (Type 25) <i>(on units after 10/5/2004)</i>



<b>Illustration #</b>	<b>Part #</b>	<b>Description</b>
1	026282-E	Cover Lid
2	026281-V	Jar Lid
3	026280-E	44 oz. Eastman Container
4	026284	Jar Seal
5	503408 503377	Blending Assembly <i>(on units after 3/8/2013)</i> Blending Assembly
6	026285	Jar Bottom
7	503407 503378	Blade Assembly <i>(on units after 3/8/2013)</i> Blade & Shaft Assembly
8	027716	V Seal
9	503358	Stainless Steel Bearing Holder
10	030426	Nylon Washer
11	032453 027097	Coupling <i>(on units after 3/8/2013)</i> Coupling
12	026852-V	Jar Cover
13	026851	32 oz. Stainless Steel Container
14	032453 027097	Coupling <i>(on units after 3/8/2013)</i> Coupling
15	026413 003507	Cap Washer <i>(on units after 6/3/2011)</i> Washer
16	028209	Switch Assembly
17	026267 028259	Screw (4 required <i>on units after 6/3/2002</i> ) Screw (4 required <i>Obsolete</i> )
18	028212	Top Housing
19	026269	Upper Motor Mount
20	026841	Rubber Bushing (4 required)
21	026690	Eyelet (4 required)
22	026716	Screw (4 required)
23	033056 029794	ECM Motor <i>(on units after 3/8/2013)</i> ECM Motor
24	027278	Ground Screw (1 required <i>on units after 11/2/2007</i> ) (3 required <i>on units after 6/22/2006</i> )
	002436	Ground Screw (1 required)

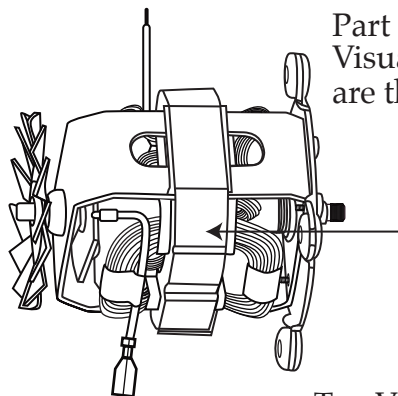
**Catalog#**

**Model**

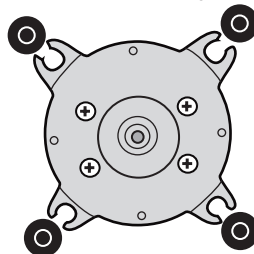
<b>BB180</b>	BB180P <i>(on units after 2/15/2010)</i>	BB180 MT (Type 25) <i>(on units after 10/5/2004)</i>
	BB180T <i>(on units after 8/25/2003)</i>	BB180
<b>BB180S</b>	BB180S <i>(on units after 2/15/2010)</i>	BB180S MT (Type 25) <i>(on units after 10/5/2004)</i>
<b>NDG180</b>	BB180P <i>(on units after 2/15/2010)</i>	BB180 MT (Type 25) <i>(on units after 10/5/2004)</i>

**Waring Factory Service Center**  
 314 Ella T. Grasso Ave.  
 Torrington, CT 06790  
 Tele. 1-800-269-6640  
 Fax 860-496-9017  
 www.waringcommercialproducts.com

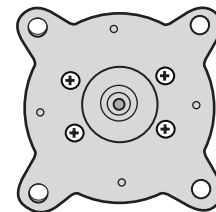
<b>Illustration #</b>	<b>Part #</b>	<b>Description</b>
25	002943	Lock Washer (2 required <i>on units after 11/2/2007</i> ) (4 required <i>on units after 6/22/2006</i> ) (1 required)
26	013731	Cable Tie (2 required)
27	013680	Strain Relief
28	502835 502828	Cord Set <i>(on units after 6/22/2006)</i> Cord Set
29	028580-x 026464 027063 502919	Bottom Housing <i>(on units after 11/2/2007)</i> Bottom Housing <i>(on units after 10/5/2004 and before 8/25/2003)</i> Bottom Housing (with hole for reset switch <i>on units after 8/25/2003</i> ) Bottom Housing with Reset Switch Assembly <i>(on units after 8/25/2003)</i>
30	026276	Screw (4 required)
31	026278	Suction Cup Foot (4 required)



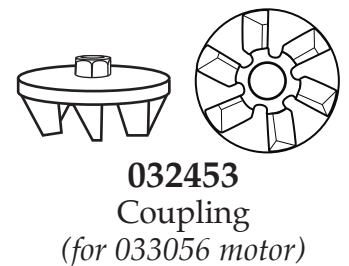
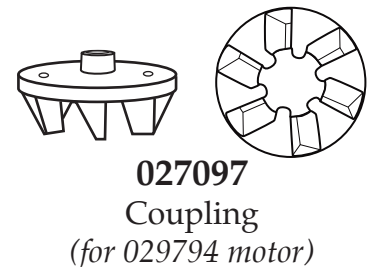
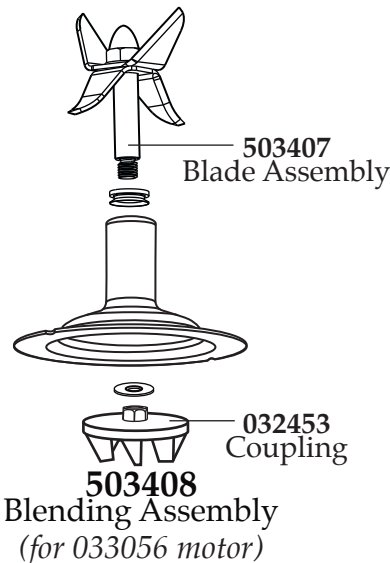
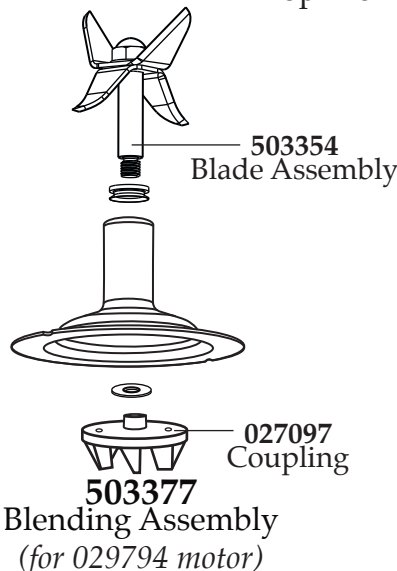
Part # is printed on each motor.  
 Visually you may think motors  
 are the same **but they are not.**



Top View 029794 or 033056 Motors



Top View  
 If you have this  
 type of motor  
 See BB180 " ( C ) " Graphic



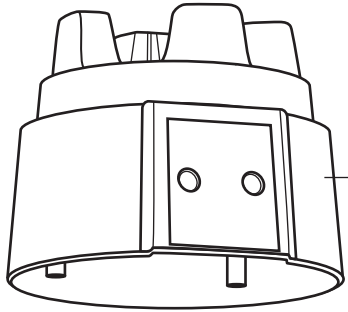
**Catalog#**

**Model**

<b>BB180</b>	BB180P <i>(on units after 2/15/2010)</i>	BB180 MT (Type 25) <i>(on units after 10/5/2004)</i>
	BB180T <i>(on units after 8/25/2003)</i>	BB180
<b>BB180S</b>	BB180S <i>(on units after 2/15/2010)</i>	BB180S MT (Type 25) <i>(on units after 10/5/2004)</i>
<b>NDG180</b>	BB180P <i>(on units after 2/15/2010)</i>	BB180 MT (Type 25) <i>(on units after 10/5/2004)</i>

**Waring Factory Service Center**  
 314 Ella T. Grasso Ave.  
 Torrington, CT 06790  
 Tele. 1-800-269-6640  
 Fax 860-496-9017  
 www.waringcommercialproducts.com

**Parts No Longer Used** *(limited availability)*



**026368 - Top Housing**  
*(on units before 6/22/2006)*

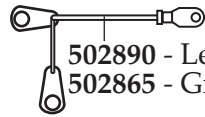
**026402 - Name Plate**  
*(on units before 6/22/2006)*



**015098 - Ring Nut**  
*(2 required on units before 6/22/2006)*

**009051 - Wire Nut** *(on units before 6/22/2006)*

**502834 - Diode Assembly**  
*(on units before 6/22/2006)*  
(003262-diode)

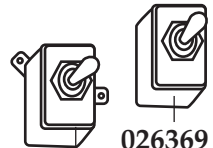


**502890 - Lead Assembly-ground** *(on units between 6/22/2006 - 11/2/2007)*

**502865 - Ground Lead Assembly** *(on units before 6/22/2006)*



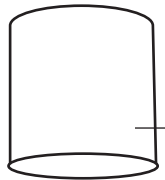
**502832 - Brown Lead Assembly** *(on units before 6/22/2006)*



**026369 - Momentary On Switch** *(on units before 6/22/2006)*

**029355 - Hi-Low-Off Switch** *(on units before 6/22/2006)*

**012698 - Hi-Low-Off Switch** *(on units before 8/25/2003)*

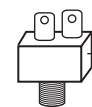
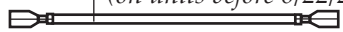


**027053 - Shroud (baffle)**

**026669 - Shroud (baffle)** *(on units before 8/25/2003)*

**Used with 027380 OLD motor ONLY**

**502833 - Black Lead Assembly**  
*(on units before 6/22/2006)*



**027052 - Reset Switch**  
*(on units between 9/2002-10/2004)*



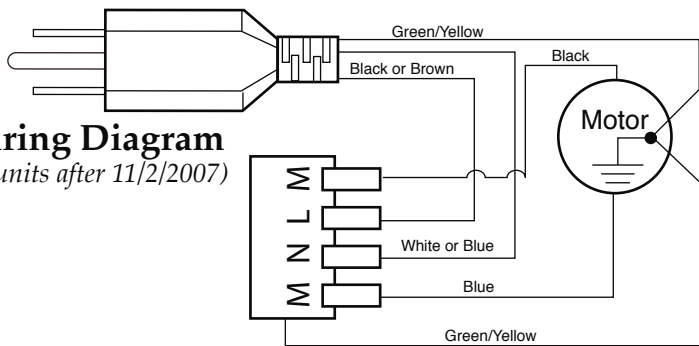
**014604 - Lock Washer**  
*(on units between 9/2002-10/2004)*



**015184 - Hex Nut**  
*(on units between 9/2002-10/2004)*

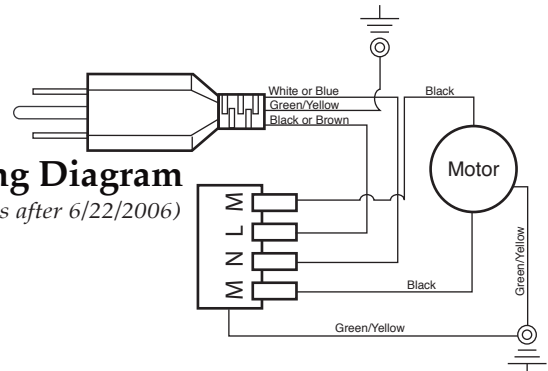
**Wiring Diagram**

*(on units after 11/2/2007)*



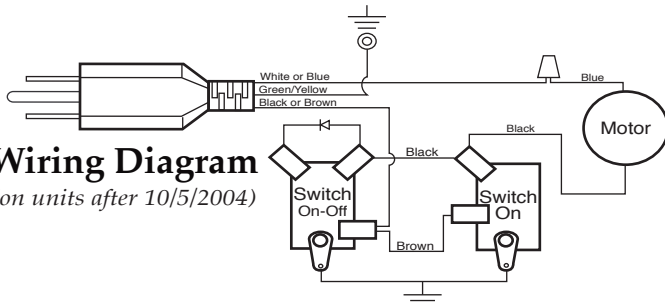
**Wiring Diagram**

*(on units after 6/22/2006)*



**Wiring Diagram**

*(on units after 10/5/2004)*



**Wiring Diagram**

*(on units with reset)*

