

APPLICATION:

JOB NAME:

QUANTITY: _____ **ITEM NO.:** _____

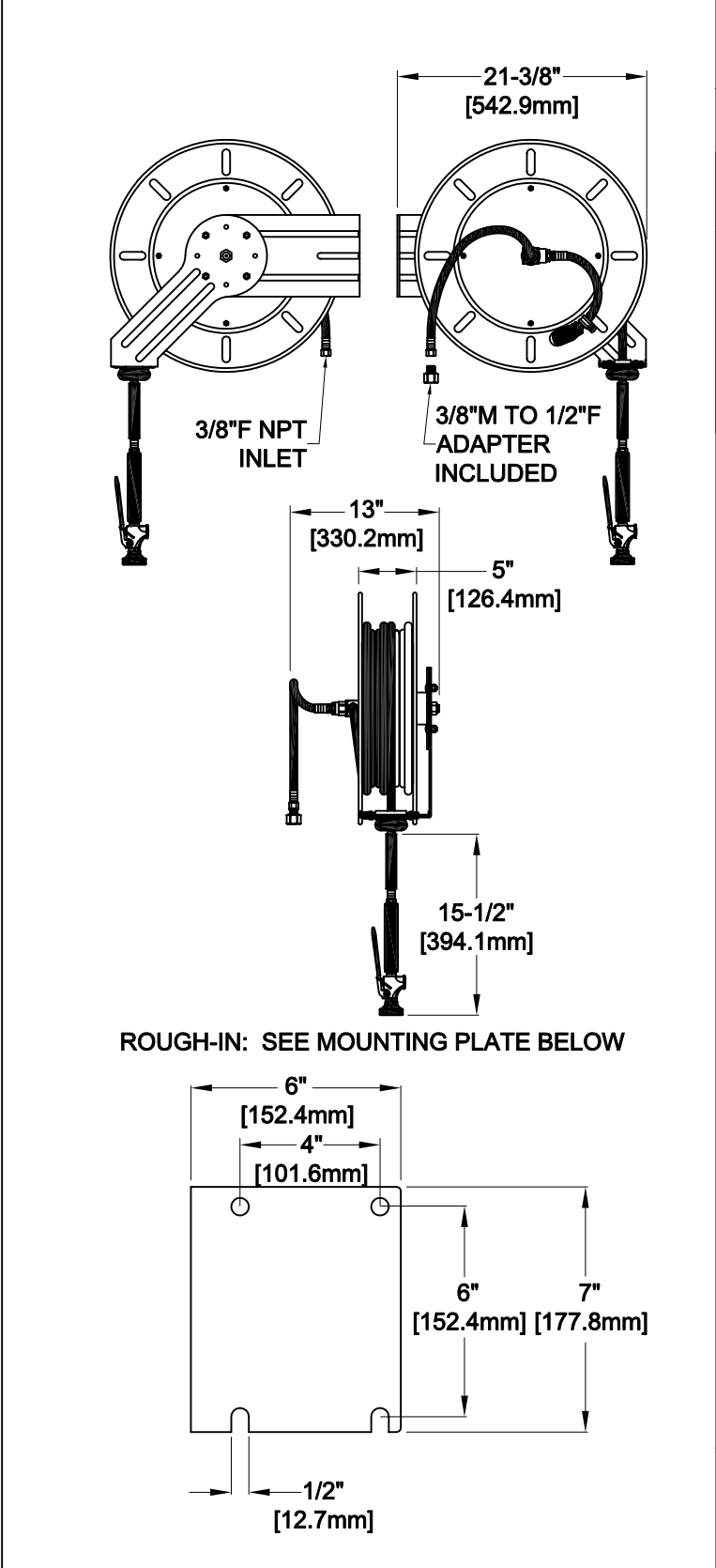
PRODUCT NAME:
**STAINLESS STEEL REEL RINSE
 EXPOSED WITH SPRAY VALVE**

_____ **SPECIAL CONFIGURATION
 CHECK BASE MODEL AND OPTIONS**

MODEL:

29610 W/ 35' LENGTH HOSE

29602 W/ 50' LENGTH HOSE



OPTIONS OR MODIFICATIONS:

BRUSH

OTHER _____

- FEATURES:**
- REEL RINSE**
- * EXPOSED DESIGN
 - * STAINLESS STEEL CONSTRUCTION
 - * GUIDE ARM ADJUSTABLE TO 9 POSITIONS
 - * RATCHED LOCK AND EASY TENSION ADJUST
 - * STAINLESS STEEL OR BRASS FLUID PATH
- HOSE**
- * 35' OR 50' LENGTH REEL HOSE
 - * 3/8" ID HIGH TEMPERATURE HOSE
 - * 3-PLY FIBER REINFORCED
 - * 1/2" F NPT OR 3/8" F NPT INLET
 - * 18" LENGTH INLET HOSE
 - * ADJUSTABLE BALL STOP
- STANDARD PRO SPRAY VALVE**
- * SOLID BRASS SHOWER HEAD - NO "O" RINGS TO LEAK
 - * BRONZE HANDLE - NOT PLASTIC - MEANS FULL "ON"
 - * FITS ALL BRANDS
 - * 2.65 GPM AT 80 PSI
 - * SHOWER SPRAY PATTERN
- SYSTEM LIMITS**
- * TEMP: 40°F MIN. TO 140°F MAX.
 - * PRESSURE 150 PSI MAX. STATIC
- SHIPPING WEIGHT**
- * 29610 - 50.0 LBS
 - * 29602 - 52.0 LBS