



## GLO-MAX<sup>®</sup> PORTABLE FOODWARMERS

Models GMFFL

Hatco Glo-Max<sup>®</sup> Portable Foodwarmer keeps food hot at kitchen work areas, waitress pickup stations or customer serving points.

### FLEXIBILITY

This Hatco Portable Foodwarmer has a sleek rounded design and its black color fits into any décor. A wide selection of accessories including food pans, trivets, and fry ribbons make Glo-Max foodwarmers ideal for any location.

### QUALITY

The following features assure the finest performance for years to come:

- The metal sheathed infrared heating element radiates heat from above and keeps food at safe temperatures.
- This unit has incandescent lights and display sign holder on the front of the base (sign not included).
- All models are factory pre-wired with a 1829 mm (6') cord and plug.

**GLO-MAX<sup>®</sup>**  
PORTABLE FOODWARMER



Model GMFFL in standard powder coated Black color with accessory food pan



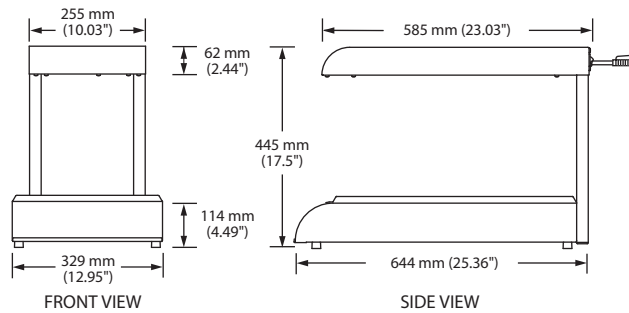
HATCO CORPORATION P.O. Box 340500 Milwaukee, WI 53234-0500 U.S.A.  
(414) 671-6350 • Int'l. Fax (414) 671-3976  
[www.hatcocorp.com](http://www.hatcocorp.com) • E-mail: [intlsales@hatcocorp.com](mailto:intlsales@hatcocorp.com)

METAL SHEATHED HEATING ELEMENTS GUARANTEED AGAINST BURNOUT AND BREAKAGE FOR TWO YEARS.



# GLO-MAX<sup>®</sup> PORTABLE FOODWARMERS

Model GMFFL



Model GMFFL

## SPECIFICATIONS

### Metal Sheathed Elements

Model	Volts	Watts	Amps	Shipping Weight
GMFFL	120	620	5.2	9.2 kg (20 lbs.)
GMFFL	230	610	2.7	9.2 kg (20 lbs.)

## DIMENSIONS

GMFFL: 329 mm W x 644 mm D x 445 mm H  
(12.95" x 25.36" x 17.5")

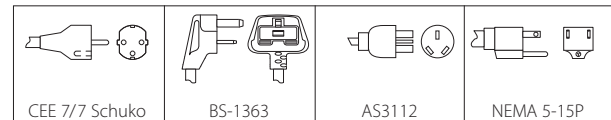
## VOLTAGE

120 volts, 50-60 Hz, 620 watts, 5.2 amps  
230 volts, 50-60 Hz, 610 watts, 2.7 amps.

## CORD LOCATION

GMFFL: Back, upper middle.

## PLUG CONFIGURATIONS



## OPTIONS (NOT FOR RETROFIT)

- Designer Colors: Warm Red and Black (standard)

## ACCESSORIES

- 5 Pleat Hardcoated French Fry Box Ribbon
- 8 Pleat Hardcoated French Fry Bag Ribbon
- Food Holding Pans
- Wire Trivets

## PRODUCT SPECS

### Portable Foodwarmer

The Portable Foodwarmer shall be a Glo-Max<sup>®</sup>, manufactured by the Hatco Corporation.

The Foodwarmer shall be a Glo-Max Model ..., rated at ... watts, ... volts, single phase and be ... millimeters (inches) in overall width.

The Glo-Max shall consist of a powder coated housing, includes incandescent display lights, and an infrared heating element that shall be tubular metal sheathed.

Accessories shall include food holding pans, trivets, and fry ribbons.