

CATALOG OF
REPLACEMENT PARTS
GAS THERMAL RADIANT GRILL



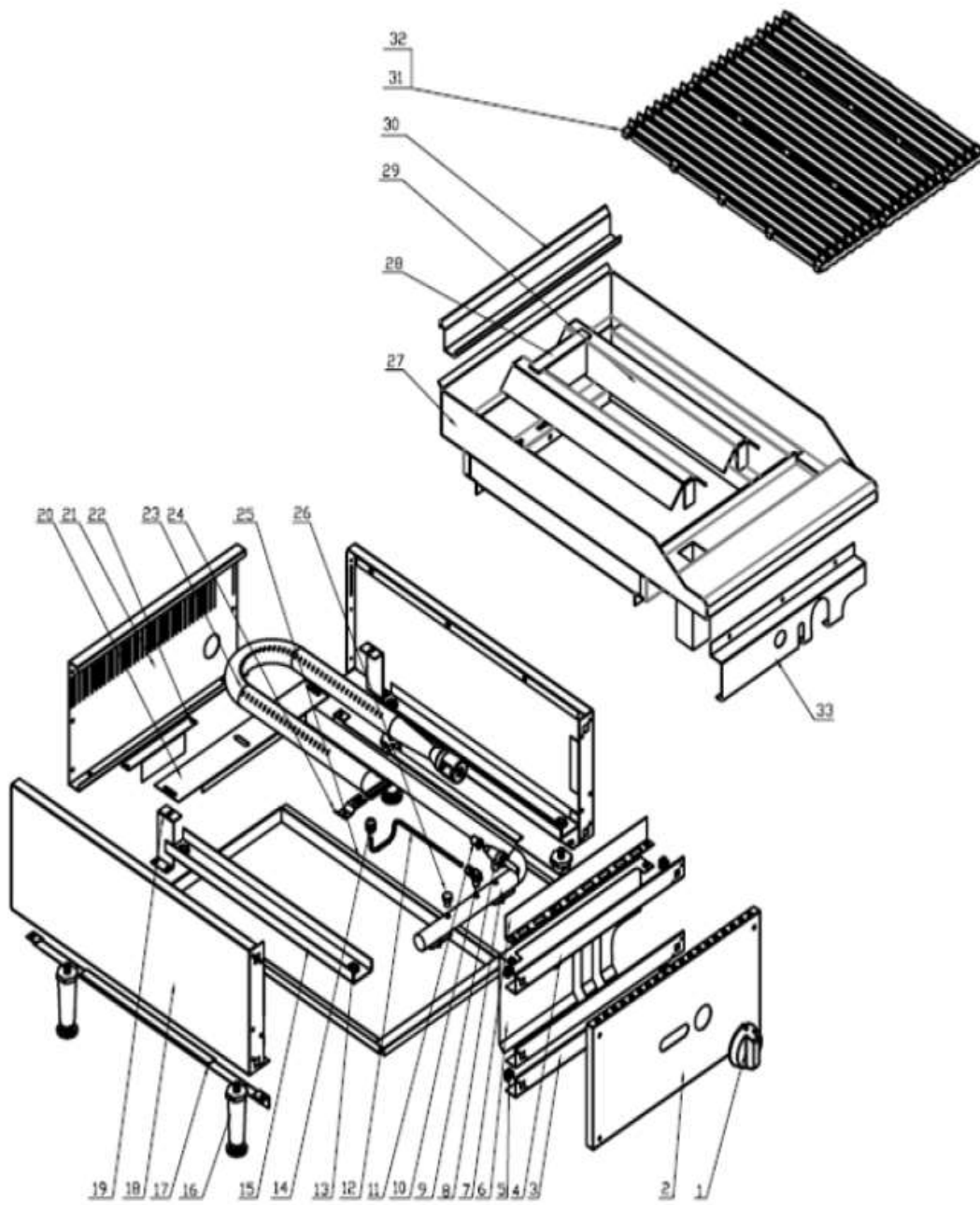
CTC-16

CTC-24

CTC-36

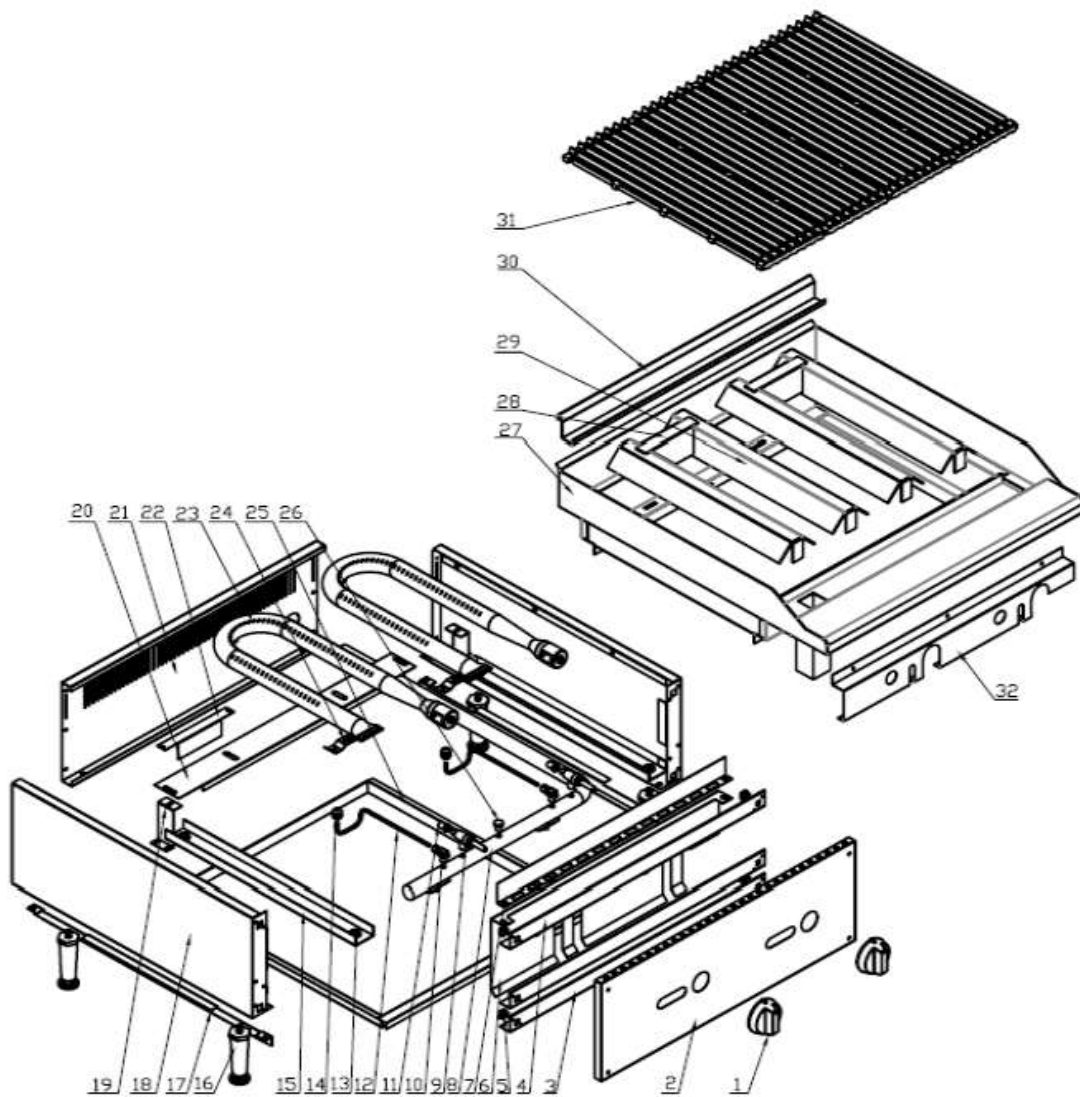
CTC-48

Explosive Drawing



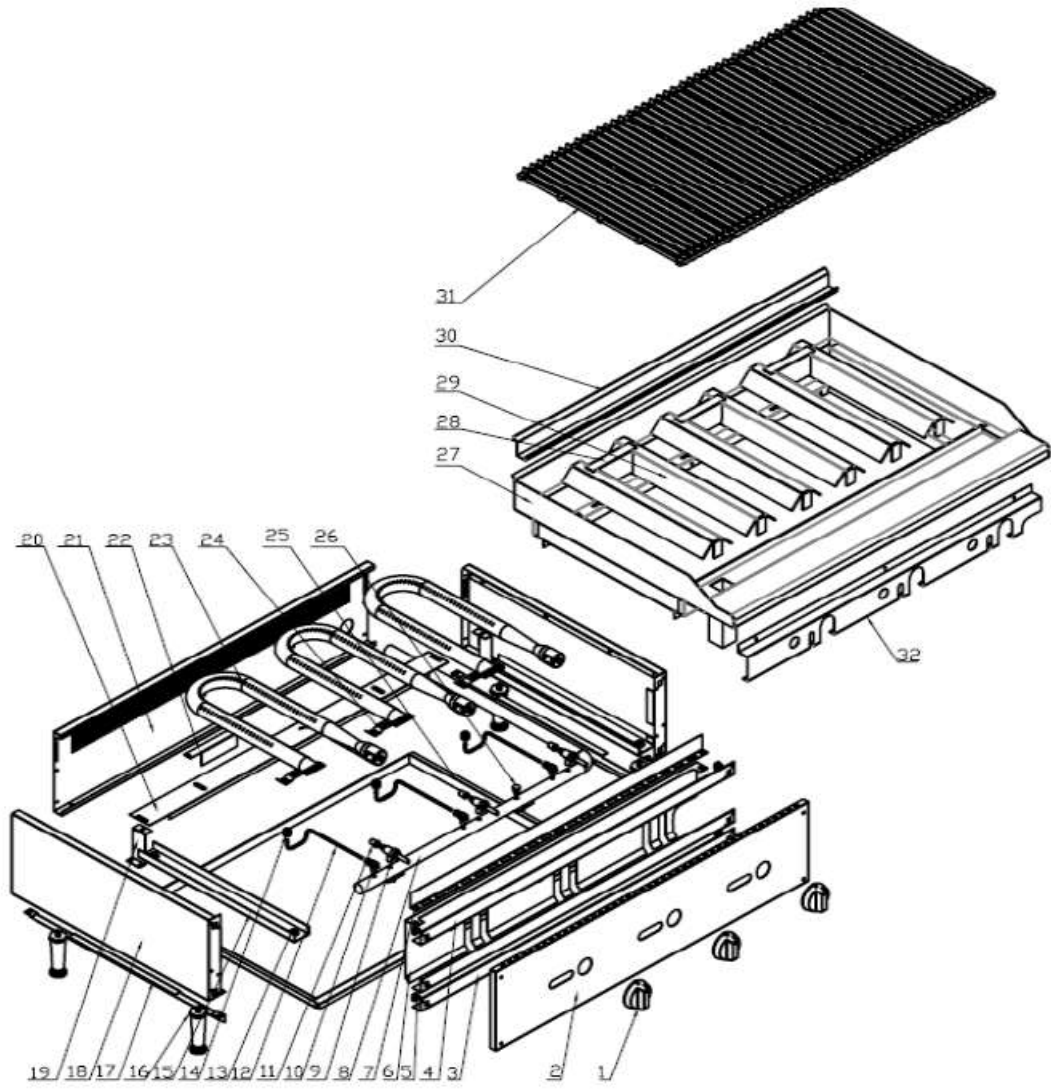
DRW.NO.	ERP code	Description	Qty
1	301110169	Burner knob	1
2		front panel	1
3		front middle,lower support beam	2
4		front upper beam	1
5		M5 Square nuts	4
6		front thermal baffle	1
7		front upper strong back	1
8		inlet gas manifold assembly	1
9	302220059	Burner valve	1
10	302220028	Natural/LPG adjusting value AP7-1	1
11		Nozzle	1
12		Pilot line	1
13		foot nut M10	4
14	302130019	pilot head	1
15		Gusett support	2
16	302090084	Foot	4
17		guide rail of oil tray	2
18		left and right side panel	2
19		Support bracket	2
20		back burner support panel	1
21		rear cover panel	1
22		Support bracket	1
23		U Burner	1
24		Support for burner	1
25		Drip tray	1
26	302200535	Test plug of gas inlet pipe	1
27		body interior assembly	1
28		Radiant stainless steel-small end one	1
29		Radiant stainless steel-long one	2
30		Rear grate support	1
31	302250025	Cast iron top grate	2
32	302250025	Cast iron top grate	1
33		front thermal baffle	1

Explosive Drawing



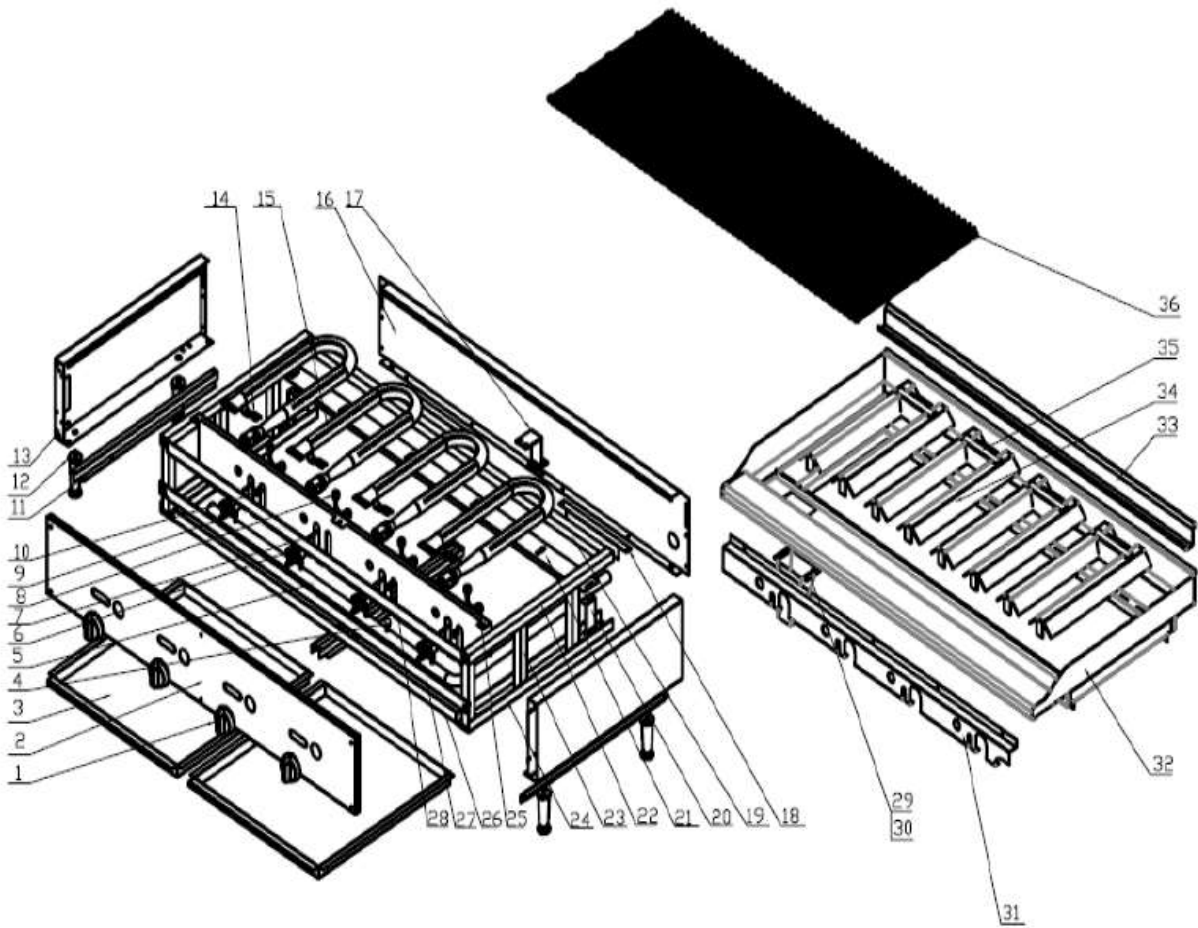
DRW.NO.	Code	Description	Qty
1	301110169	Burner knob	2
2		front table panel	1
3		front middle,lower beam	2
4		front upper beam	1
5		M5 Square nuts	4
6		front thermal baffle	1
7		front upper strong back	1
8		inlet pipe assembly	1
9	302220059	Burner value	2
10	302220028	Natural/LPG adjusting value AP7-1	2
11		Nozzle	2
12		Pilot line	2
13		foot nut M10	4
14	302130019	Pilot head	2
15		Gusett Support	2
16	302090084	Foot	4
17		guide rail of oil tray	2
18		left and right side panel	2
19		Support Bracket	2
20		back burner support panel	1
21		rear cover panel	1
22		Support bracket	1
23		U Burner	2
24		Support for burner	2
25		Drip tray	1
26	302200535	Test plug of gas inlet pipe	1
27		body interior assembly	1
28		Radiant stainless steel-small end one	2
29		Radiant stainless steel-long one	4
30		Rear grate support	1
31	302250025	Cast iron top grate	4
32		front thermal baffle	1

Explosive Drawing



DRW.NO.	Code	Description	Qty
1	301110169	Burner knob	3
2		front panel	1
3		front middle,lower support beam	2
4		front upper beam	1
5		M5 Square nuts	4
6		front thermal baffle	1
7		front upper strong back	1
8		inlet pipe assembly	1
9	302220059	Burner Valve	3
10	302220028	Natural/LPG adjusting value AP7-1	3
11		Nozzle	3
12		Pilot line	3
13		foot nut M10	4
14	302130019	Pilot head	3
15		Gussett Support	2
16	302090084	Foot	4
17		guide rail of oil tray	2
18		left and right side panel	2
19		Support Bracket	2
20		Back burner support panel	1
21		rear cover panel	1
22		Support bracket	1
23		U Burner	3
24		Support for burner	3
25		Drip tray	2
26	302200535	Test plug of inlet pipe	1
27		body interior assembly	1
28		Radiant Stainless Steel-small end one	3
29		Radiant stainless steel-long one	6
30		Rear grate support	1
31	302250025	Cast Iron top grate	6
32		front thermal baffle	1

Explosive Drawing



HDSECTC-48 (LFH-1200S) PART LIST

DRW. NO.	Code	Description	Qty
1	301110459	Burner knob	4
2		front panel	1
3		Drip tray	2
4	302200535	Test plug gas manifold	1
5	302180367	Inlet gas manifold	1
6	302220028	Natural/LGP adjusting value AP7-1	4
7		Pilot tube	4
8	302130019	Pilot	4
9	302220059	A18 value	4
10		Nozzle	4
11		guide rail drip tray	4
12	302090047	Foot	4
13		left and right side panel	2
14		Support for burner	4
15	302130391	'U'Burner	4
16		rear cover panel	1
17		Rear support of burner	2
18		Rear support of drip tray	2
19		back body support	1
20		Support of back ledger of burner	2
21		back ledger panel of furnace end	1
22		left and right body support	2
23		Vertical support	6
24		Reinforcing panel of body foot	2
25		front thermal baffle	1
26		front upper beam	1
27		front middle lower beam	1
28		front upper beam	1
29		leak all line side panel 1	1
30		leak all line side panel 2	1
31		front panel	1
32		body interior assembly	1
33		Rear grate support	1
34		Radiant stainless steel-long one	8
35		Radiant stainless-short one	4
36	302250025	Cast iron top grate	8