

CATALOG OF
REPLACEMENT PARTS
Electric Glass Warming Showcase

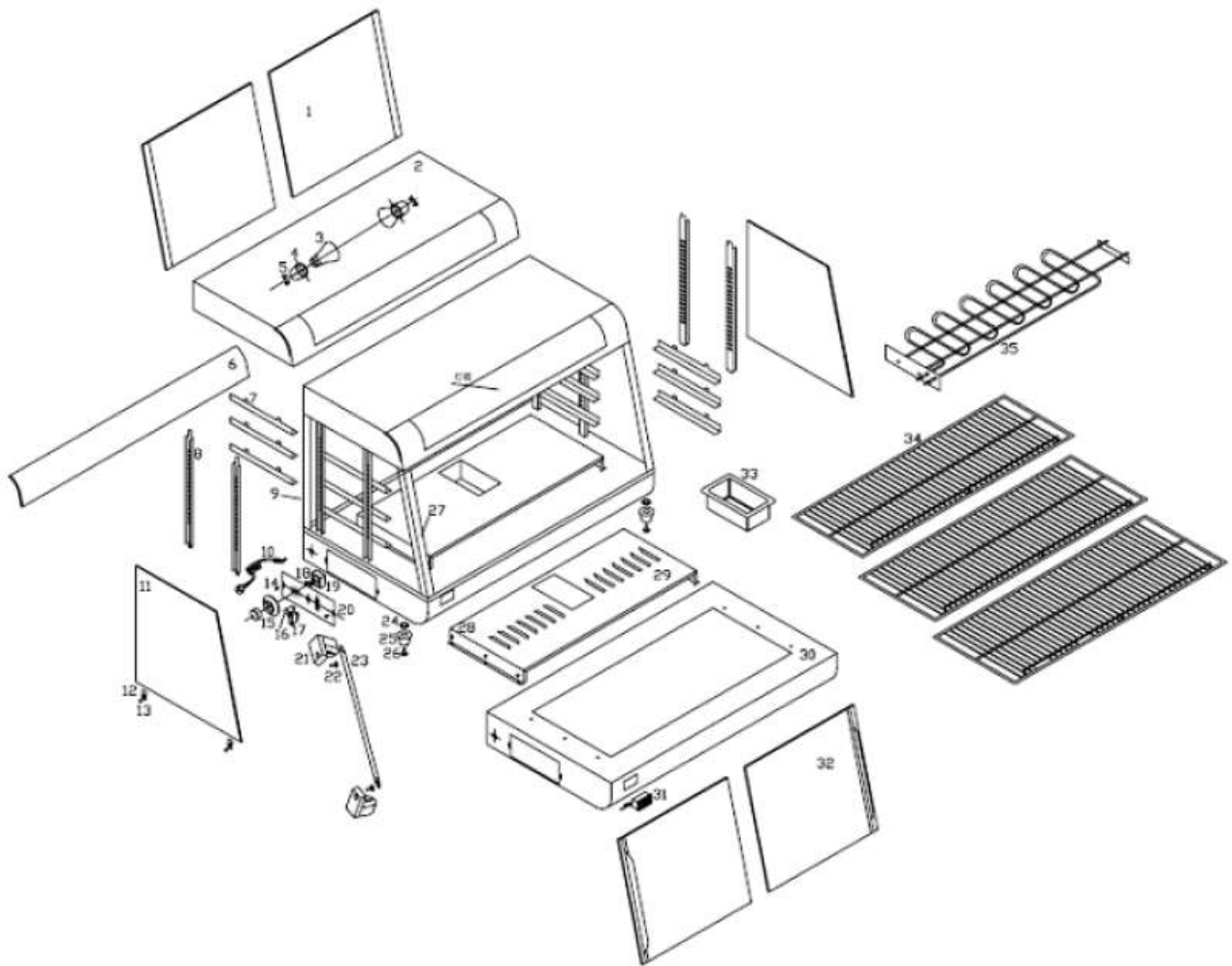


HD-26

HD-36

HD-48

Explosive Drawing



Serial No.	Code	Description	Quantity
1	302100067	Back glass Door	2
2		Top cover	1
3	301130037	Lamp for heated display	2
4	301130035	Ceramic connector base for Lamp	2
5		Fixing screw of connector ceramic base	4
6		Lighted Sign cover	1
7	20201002011+20201002012	Shelf support, Left and Right	6
8	20201002010	Supporting column of shelf support	4
9	20201002006	Vertical post support	2
10	301050076	Power cord with jacket	1
11	302100068	Side glass	2
12	20201001014	Clip for glass	4
13		Fixing screw for clip of glass	4
14		Fixing screw for controlling board	2
15	301110028	Thermostat knob	1
16	301130020	Indicator	1
17	301080009	Switch	1
18	301030007	Thermostat	1
19		Fixing screw for thermostat	2
20	20201002020	Control board	1
21	301130041	Illuminated power switch	2
22	301130052	Ceramic base	4

23		Fixing screw of ceramic base for Power Switch	4
24		nut for rubber foot	4
25	302090027	Rubber foot	4
26		Fixing screw	4
27	20201002007	Sloping post	2
28		Fixing screw	6
29	20201002017	SS Baffle plate for heating element	1
30	20201002018	Bottom case floor	1
31	301020034	Temperature display	1
32	302100066	Front Door glass (with handle and rubber sealing gasket)	2
33	302120034	Water container	1
34	302110075+ 302110076+ 302110077	Wire Shelves	3
35	301040252	Heating elements(120V/60Hz/1.5kW)	1

Serial No.	Code	Description	Quantity
1	302100070	Back glass door	2
2		Top cover	1
3	301130037	Lamp for heated display	2
4	301130035	Ceramic connector base for Lamp	2
5		Fixing screw of ceramic connector base	4
6		Lighted sign cover	1
7	20201001018+20201001019	Shelf support, Left and Right	6
8	20201001017	Supporting column of shelf support	4
9	20201001009	Vertical post support	2
10	301050076	Power cord with jacket	1
11	302100069	Side glass	2
12	20201001014	Clip for glass	4
13		Fixing screw for Clip of glass	4
14		Fixing screw for controlling board	2
15	301110028	Thermostat knob	1
16	301130020	Indicator	1
17	301080009	Switch	1
18	301030007	Thermostat	1
19		Fixing screw for thermostat	2
20	20201001029	Control board	1
21	301130041	Illuminated Power Switch	2
22	301130052	Ceramic base	4
23		Fixing screw of ceramic base for Power Switch	4

24		nut for rubber foot	4
25	302090027	Rubber foot	4
26		Fixing screw	4
27	20201001010	Sloping post	2
28		Fixing screw	6
29	20201001024	SS Baffle plate for heating element	1
30	20201001025	Bottom case floor	1
31	301020034	Temperature display	1
32	302100071	Front Door glass (with handle and rubber sealing gasket)	2
33	302120034	Water container	1
34	302110078+ 302110079+ 302110080	Wire shelves	3
35	301040254	Heating elements(120V/60Hz/1.5kW)	1

HD-48

Serial No.	Code	Description	Quantity
1	302100073	Back glass door	2
2		Top cover	1
3	301130037	Lamp for heated display	2
4	301130035	Ceramic connector base for Lamp	2
5		Fixing screw of ceramic connector base	4
6		Lighted sign cover	1
7	20201003011+ 20201003012	Shelf Support, Left and Right	6
8	20201003010	Supporting column of shelf support	4
9	20201003006	Vertical post support	2
10	301050076	Power cord with jacket	1
11	302100074	Side glass	2
12	20201001014	Clip for glass	4
13		Fixing screw for Clip of glass	4
14		Fixing screw for controlling board	2
15	301110028	Thermostat knob	1
16	301130020	Indicator	1
17	301080009	Switch	1
18	301030007	Thermostat	1
19		Fixing screw for thermostat	2
20	20201002020	Controlling board	1
21	301130041	Illuminated power switch	2
22	301130052	Ceramic base	4
23		Fixing screw of ceramic base for illuminator	4
24		Fixing nut for rubber foot	4
25	302090027	Rubber foot	4
26		Fixing screw	4
27	20201002007	Sloping post	2

28		Fixing screw	6
29	20201002017	SS Baffle plate for heating element	1
30	20201002018	Bottom case floor	1
31	301020034	Temperature display	1
32	302100066	Front Door glass (with handle and rubber sealing gasket)	2
33	302120034	Water container	1
34	302110075+ 302110076+ 302110077	Wire Shelves	3
35	301040252	Heating elements(120V/60Hz/1.5kW)	1