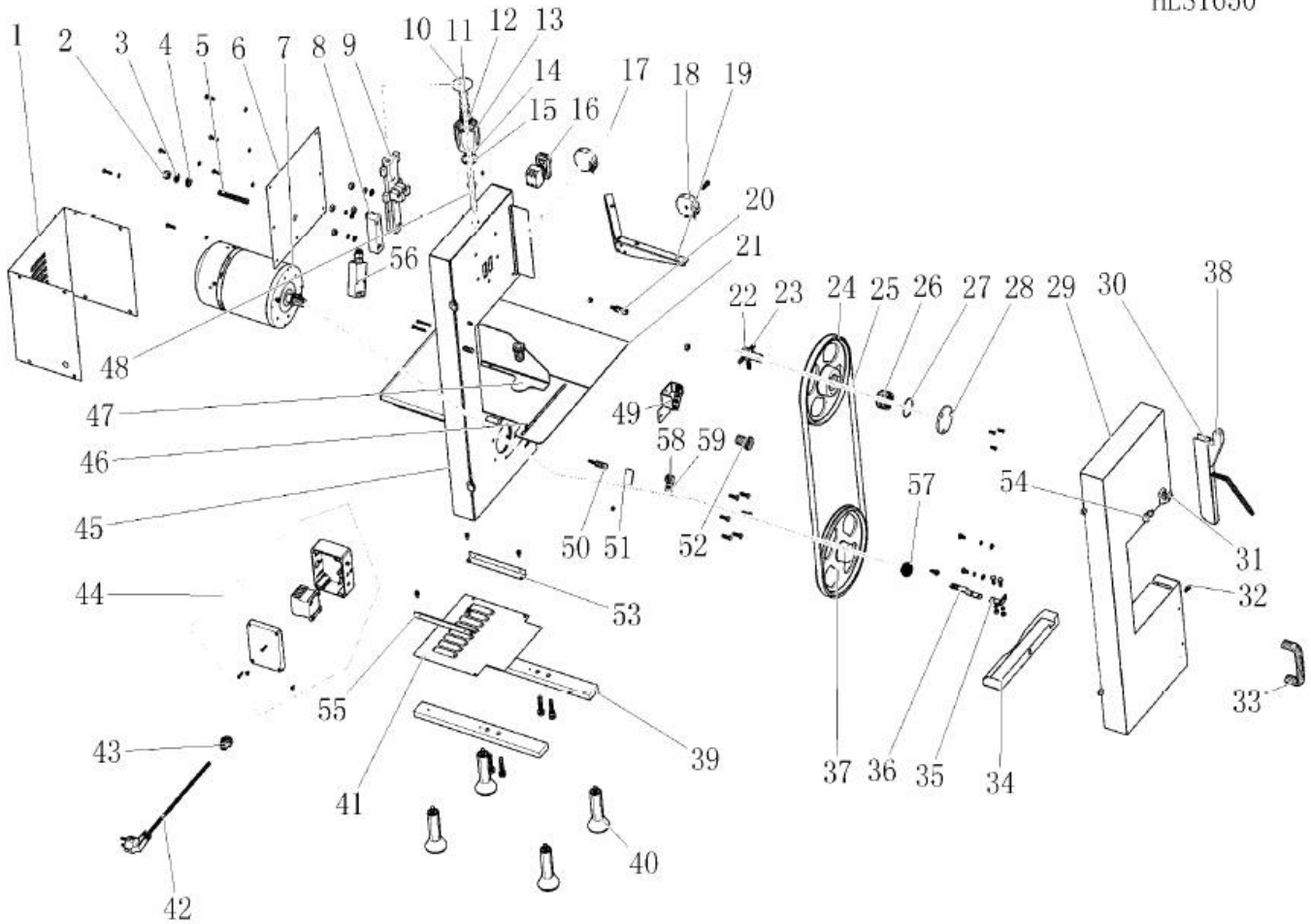


HLS-1650 BOM

HLS1650



NO.	Code in K3 System	Name	Quantity
1	2.02HLS1650280701	Motor cover(SS)	1
2	4.01.M10GBT802126	Cap nut	1
3	4.01.D10GBT96_2263	Big flat washer	1
4	1.03.090610010	Rubber washer(jacket)	1
5	2.02HLS1650070701	Screw mandrel	1
6	2.02HLS1650230701	Back cover	1
7	1.04.06001408100	Motor	1
8	2.HLS1650100201	Guide plate	2
9	2.HLS1650110201	Tension sliding block	1
10	2.HLS1650A1207100	Cover	1
11	4.01.M10GBT889_126	Lock nut	1
12	4.02.00000047	Pressing spring	1
13	2.HLS1650A0602100	Regulating handle	1
14	4.01.06GBT308	Steel ball(for rolling bearing)	4
15	2.HLS1650A1301100	Top cover	1
16	1.05.053511HY57	Switch	1
17	4.01.D17GBT894_111	Shaft collar	1
18	3.0000131	Knob PA66	2
19	2.02HLS165018040701	Channel steel	1
20	2.HLS1650A31-01100400	Guide shaft	1

HLS-1650 BOM

21	2.02HLS165018	Table(SS welded)	1
22	2.02HLS165015Z	Shaft	1
23	2.HLS1650A-08100400	Small shaft	1
24	2.HLS16501307	Belt wheel-1	1
25	7.08.03.0151650	Saw	1
26	4.01.6203GBT294166	Bearing 6203	2
27	3.0000196	O type circle	1
28	2.HLS16501602100	Gland 1	1
29	2.02HLS165014	Door cover	1
30	2.02HLS1650A18AZ	Groove plate(SS welded)	1
31		Revolution axis seat	1
32	2.HLS240057-0000510701	Hand wheel screw	
33	3.HBS30000921070100	Novel handle	1
34	2.02HLS165033	Meat residue box(SS)	1
35	2.02HLS202029040701	Support plate	1
36	2.02HLS165014050101	Bending plate(switch board)	1
37	2.HLS1650220701	Belt wheel-2	1
38	2.HLS24005202100	Groove seat	1
39	2.HLS1650010201	Bottom plate	2
40	3.HLS16500000001	Foot	4
41	2.02HLS1650A260101	Plate(galvanized)	1
42	1.01.01.20044101	Power cord and plug	1
43	1.03.00040001	Cable fixator	1
44	1.03.00050002	Electric box (with contactor)	1
45	2.HLS16500000	Body	1
47	2.02HLS1650A0407	Size limit plate	1
48	2.02HLS1650120701	Tightening shaft	1
49		Saw cleaning unit	1
50	2.HLS1650A38-100400	Scraper seat	2
51	2.HLS1650A390001	Scraper board	3
52	2.HLS1650A3407100	Handle	
53	2.02HLS165018020701	Angle steel	1
54	2.02HLS240031030701	Revolution shaft	1
55	2.02HLS165018020701	Angle steel	1
56	1.05.045011QKS8	Door-opening power off switch	1
57	4.01.D17GBT894_111	Shaft end ring	1
58	3.0000029	Bending plate(scraper seat)	1
59	2.HLS1650A390001	Scraper 1	3