

Platinum

Modern Chef
La cocina perfecta

Lista de piezas mesa comercial refrigerada MGC29R-PLA



Un producto:

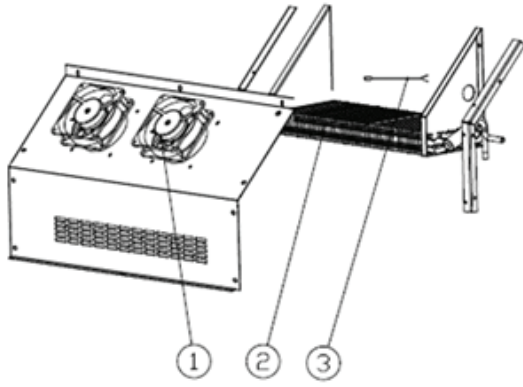
METALGAS, S.R.L.

Calidad, servicio y garantía

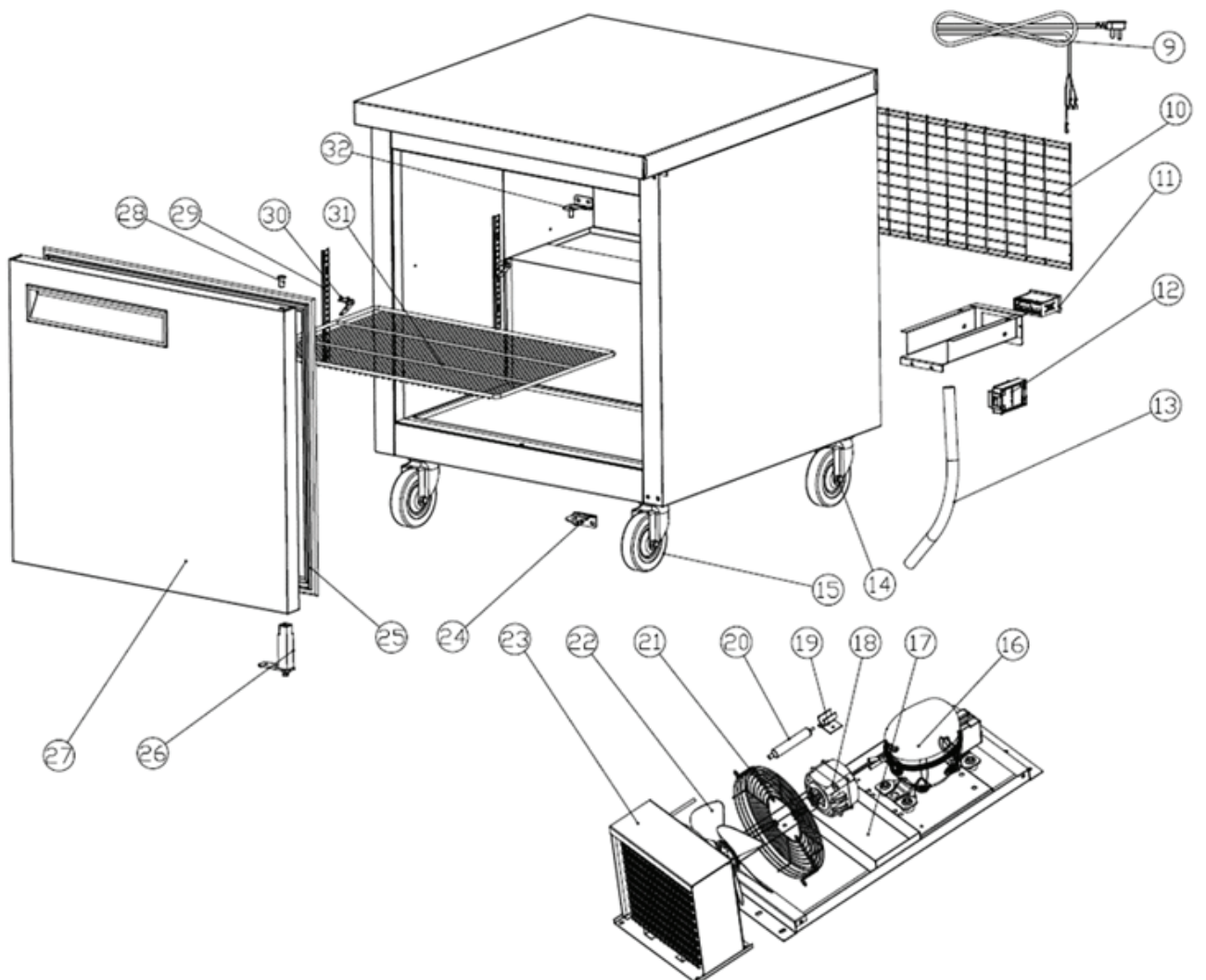
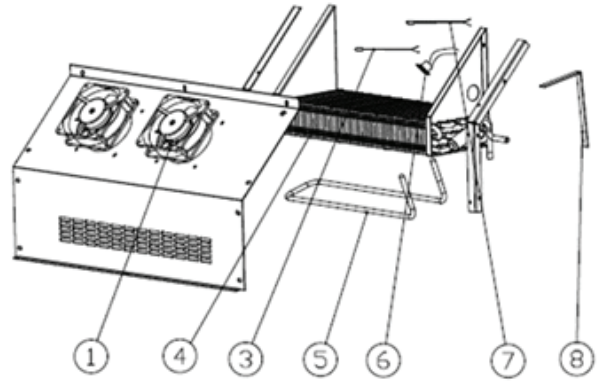
Más de 35 años acompañando tus negocios

📍 Av. Luperón no.5, Zona Industrial de Herrera
📍 Autopista de San Isidro, 1^{er} nivel Coral Mall. Santo Domingo Este





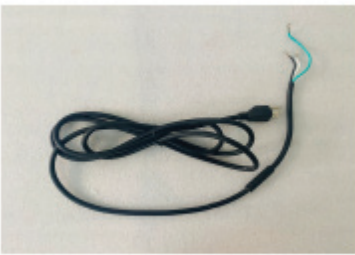
DUC29R



DUC29F


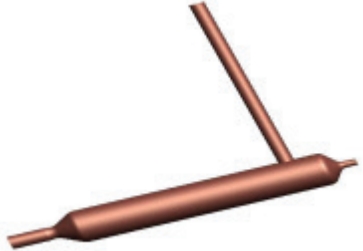
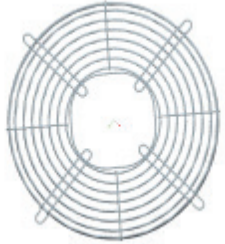

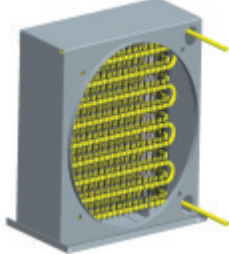


NO.	Number	Description	Photo
1	R2.02.20007	Fan Motor SAA12038B2H	
2	R5.01.10009	Evaporator; 2R6K400L	
3	R2.11.10006	Probe Wire; 3435/10KΩ; 2.5M/With Terminals/Black	
3	R2.11.10005	Probe Wire; 3435/10KΩ; 2.5M/No Terminals/Black	
4	R5.01.10008	Evaporator; 3R6K400L	

5	R2.06.10010	Electric Heating Parts; Tube; DA400L75B_1	
6	R2.03.20007	Thermostats; Mechanical; T1/11- 50/40/A912B14 H131	
7	R2.11.10001	Probe Wire; 3435/10KΩ; 2.5M/No Terminals/White	
8	R7.01.90002	Drain Duct	
9	R2.09.10003	Wiring Harness; Power Cord; NEMA 5-15P; 3*16AWG; 2.7M	

10	R4.04.30023	Back Grid; Salad Prep Table; 669*268	
11	R2.03.10001	Thermostat XR03CX-4N6F7	
12	R2.08.10001	Junction Box; ET0301G; UL Certified	
13	R7.01.40089	PVC Reticulated Duct; ϕ 23* ϕ 19*300	
14	R4.03.10014	5 Inches Black PP Wheel; A2-125S-102	

15	R4.03.10015	5 Inches Black PP Wheel with Brake; A2-125S3-102	
16	R2.01.20001	Compressor; NUT45NR	
16	R2.01.20003	Compressor; NUG90NR	
17	R7.01.40053	Outer Water Pan DSP29/DUC29	
18	R2.02.10002	Fan Motor YZ10-20	

19	R4.99.10019	Filter Clip	
20	R5.03.20003	Filter Drier; Bypass Φ 2.5*6.2-135	
21	R4.04.50002	Fan Guard, Ø230; 40H	
22	R4.07.10005	Fan Blade ø 230; 28°	
23	R5.02.20048	Condenser; 240L 235H	

24	R4.02.10006	<p>Hinge; S/S; Lower Right; 50*26; Compatible with All Undercounters and Salad Prep Tables</p>	
25	R7.01.40062	<p>Gasket DSP29/DUC29</p>	
26	R4.08.30001	<p>Self-closing Hinge; 22*22*100</p>	
27	R7.01.40054	<p>Right Foaming Door DSP29/DUC29</p>	

28	R3.01.50008	Axis Guide; Nylon; ϕ 7*25	
29	R4.06.20001	K-strip; 2 holes; Length:238.3	
30	R4.06.10001	K-clip; 22*27.2	
31	R4.04.10078	Shelf; TFP29; 620*410	
32	R4.02.10002	Hinge; S/S; Upper Right; 45*23; Compatible with All Undercounters and Salad Prep	



METALGAS, S.R.L.

Calidad, servicio y garantía

Más de 35 años acompañando tus negocios

📍 Av. Luperón no.5, Zona Industrial de Herrera
📍 Autopista de San Isidro, 1^{er} nivel Coral Mall. Santo Domingo Este